

Item description/product images



Description

Material:

Quarter-turn lock 1.4401 stainless steel.  
Tongue 1.4301 stainless steel.

Version:

Bright.  
Grip polished.

Note:

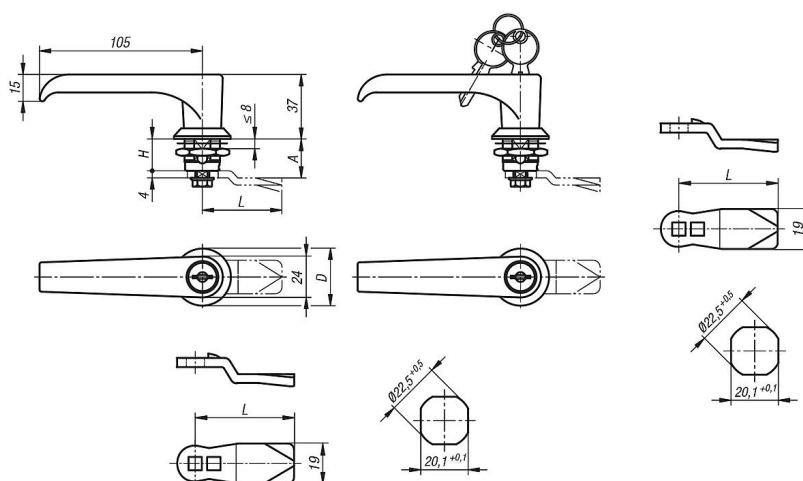
Quarter-turn lock with L-grip. For right or left mounting with 90° closing. The quarter-turn lock can be installed pre-assembled. Rating IP65. Please order required tongue version separately. Every tongue can be combined with this housing.

The lockable quarter-turn locks are each supplied with 2 keys. The cylinder locks have a single-key system i.e. the same key works in all locks.

On request:

Available for door thickness 20 and 40 mm.

Drawings



Overview of items

Quarter-turn locks, stainless steel with L-grip

Order No.	Actuation	D	H
05594-02-218	lockable L-grip	32	18
05594-02-118	L-grip	32	18

Tongue for quarter-turn locks

Order No.	A	L
05566-07-45060	6	45
05566-07-45080	8	45
05566-07-45100	10	45
05566-07-45140	14	45
05566-07-45160	16	45
05566-07-45180	18	45

## Overview of items

Order No.	A	L
05566-07-45200	20	45
05566-07-45220	22	45
05566-07-45240	24	45
05566-07-45260	26	45
05566-07-45280	28	45
05566-07-45320	32	45
05566-07-45500	50	45