

## Item description/product images

**Description****Material:**

Quarter-turn lock 1.4401 stainless steel.  
Tongue 1.4301 stainless steel.

**Version:**

Bright.  
Grip polished.

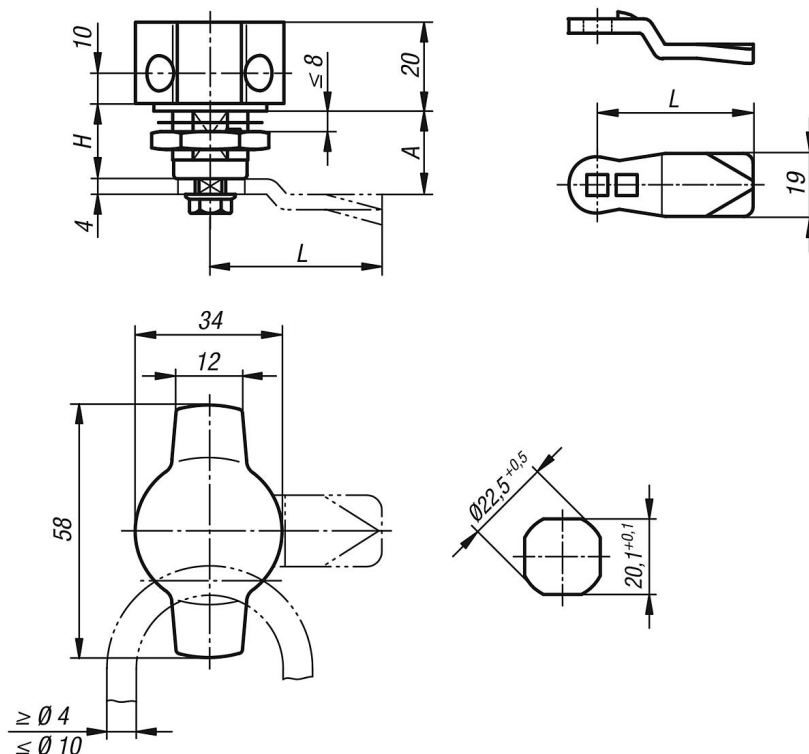
**Note:**

Quarter-turn lock with wing grip. Right or left deployment. The lock can be installed pre-assembled.

Water and dust tight according to IP65.

Please order the desired tongue type separately. Every tongue can be combined with every housing.

Drawings



Overview of items

Quarter-turn lock, stainless steel with wing grip

Order No.	Actuation	H
05571-02-18	lockable grip	18

Tongue for quarter-turn lock

Order No.	A	L
05566-07-45060	6	45
05566-07-45080	8	45
05566-07-45100	10	45
05566-07-45140	14	45
05566-07-45160	16	45
05566-07-45180	18	45
05566-07-45200	20	45
05566-07-45220	22	45
05566-07-45240	24	45
05566-07-45260	26	45
05566-07-45280	28	45
05566-07-45320	32	45
05566-07-45500	50	45