

Item description/product images



Description

Material:

Quarter-turn lock 1.4401 stainless steel.
Tongue 1.4301 stainless steel.

Version:

Bright.

Note:

The lock can be installed pre-assembled and has a 90° closing angle.
It is protected against water and dust according to IP65 of EN 60529.

Accessory:

Lock key 05586

Drawing reference:

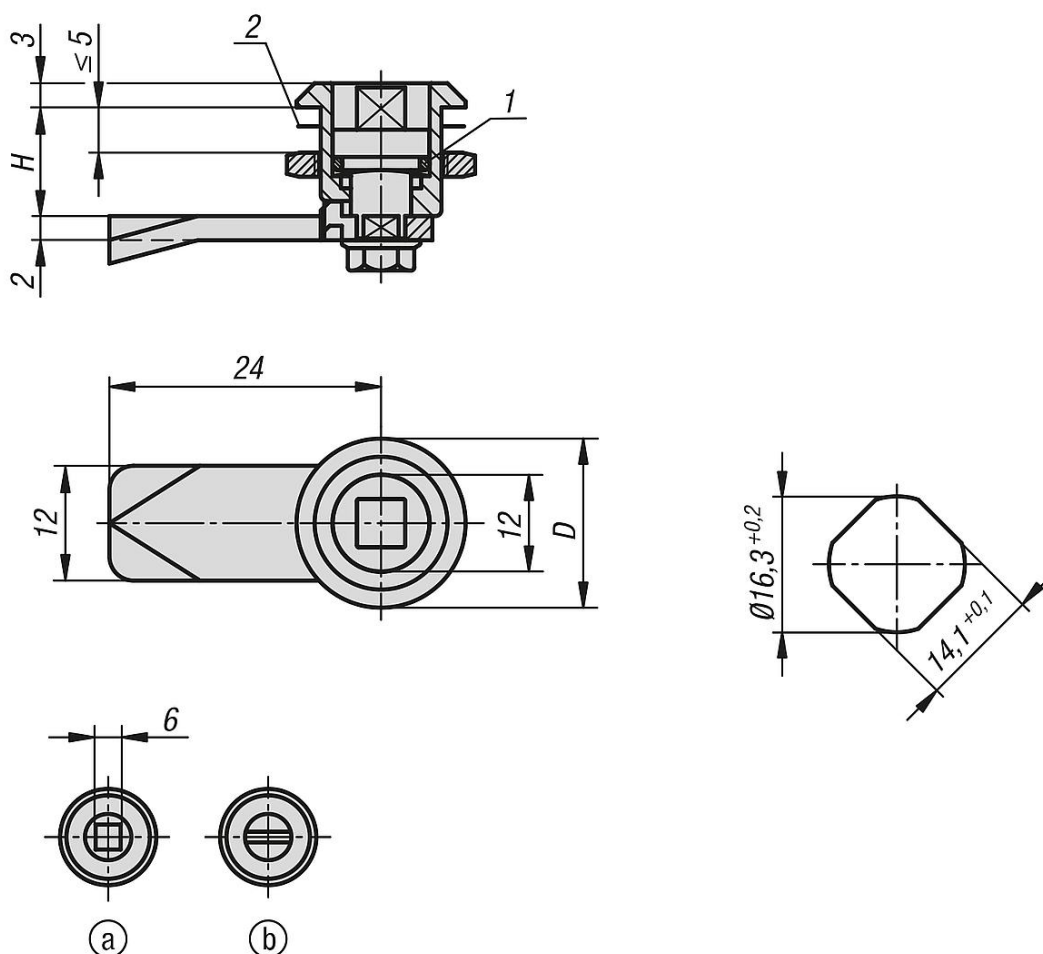
Actuation:

- a) square 6 mm
- b) slot

1) O-ring

2) flat seal

Drawings



Overview of items

Order No.	Actuation	D	H
05561-02-1613	square 6 mm	20	13,5
05561-02-2013	slot	20	13,5