

Item description/product images



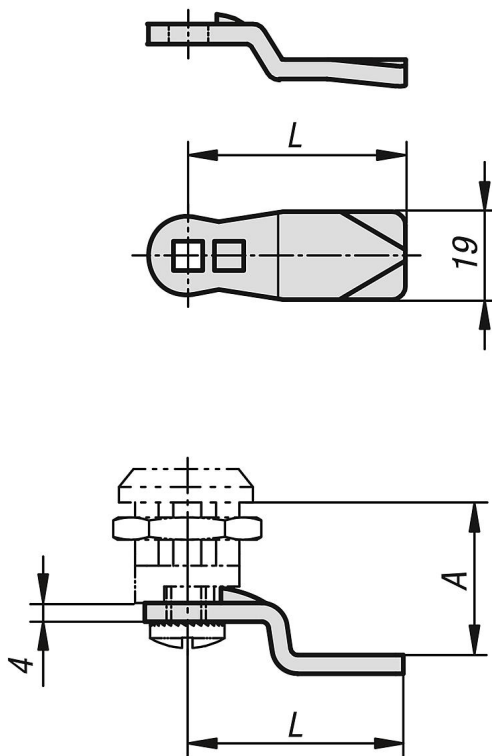
Description

Material:
Stainless steel 1.4301.

Version:
Bright.



Drawings



Overview of items

Order No.	A=Tongue spacing	A for housing length H=30	A for housing length H=36	A for housing length H=40	A for housing length H=50	A for housing length H=60	L
05566-07-45060	6	18	24	28	38	48	45
05566-07-45080	8	20	26	30	40	50	45
05566-07-45100	10	22	28	32	42	52	45
05566-07-45140	14	26	32	36	46	56	45
05566-07-45160	16	28	34	38	48	58	45
05566-07-45180	18	30	36	40	50	60	45
05566-07-45200	20	32	38	42	52	62	45
05566-07-45220	22	34	40	44	54	64	45
05566-07-45240	24	36	42	46	56	66	45
05566-07-45260	26	38	44	48	58	68	45
05566-07-45280	28	40	46	50	60	70	45
05566-07-45320	32	44	50	54	64	74	45

Overview of items

Order No.	A=Tongue spacing	A for housing length H=30	A for housing length H=36	A for housing length H=40	A for housing length H=50	A for housing length H=60	L
05566-07-45500	50	62	68	72	82	92	45