

## Item description/product images



## Description

## Material:

Housing plastic.

Ball bearing stainless steel 1.4112.

Plain bearing insert POM.

Bushes and grease nipple stainless steel 1.4301.

## Version:

Plain bearing insert white.

Housing green.

Stainless steel parts bright.

## Note:

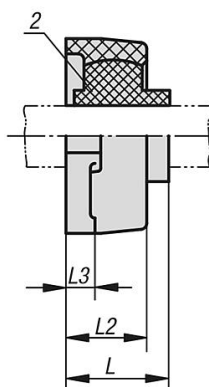
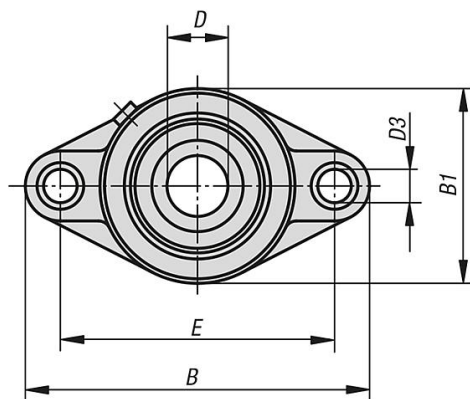
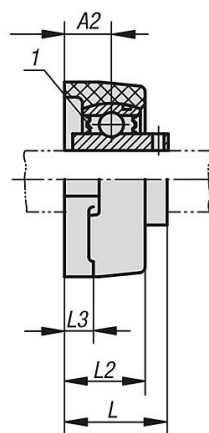
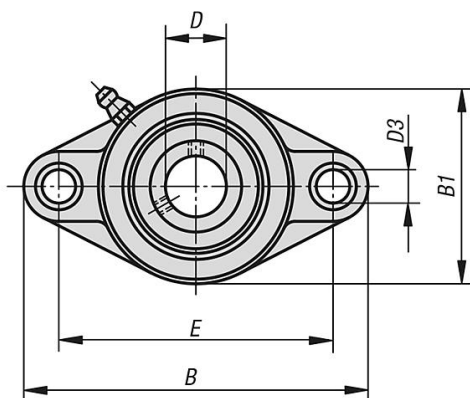
The housings are very robust, hard wearing and shock proof. They are resistant to most alkaline solutions, weak acids (PH 4-9) and brines. In contrast to cast or steel housings the special plastic in these housings prevent the formation of micro-organisms.

## Drawing reference:

1) ball bearing

2) plain bearing

## Drawings



## Overview of items

## With ball bearing

Order No.	Component material	Housing	D	B	E	B1	D3	L	L2	L3	A2
24266-01-12201	stainless steel	201	12	114	90	65	11	33,7	26,5	11,4	15,4
24266-01-15202	stainless steel	202	15	114	90	65	11	33,7	26,5	11,4	15,4
24266-01-20204	stainless steel	204	20	114	90	65	11	33,7	26,5	11,4	15,4
24266-01-25205	stainless steel	205	25	131	99	69,5	11	36,7	29,1	13,5	17
24266-01-30206	stainless steel	206	30	148	117	80	11	41,2	30,5	13,3	19
24266-01-35207	stainless steel	207	35	164	130	90	13	43,4	32,8	16,1	18
24266-01-40208	stainless steel	208	40	176	144	100	14	51,7	37,5	20	21,5
24266-01-112201	POM	201	12	114	90	65	11	33,7	26,5	11,4	-
24266-01-115202	POM	202	15	114	90	65	11	33,7	26,5	11,4	-
24266-01-120204	POM	204	20	114	90	65	11	33,7	26,5	11,4	-
24266-01-125205	POM	205	25	131	99	69,5	11	36,7	29,1	13,5	-
24266-01-130206	POM	206	30	148	117	80	11	41,2	30,5	13,3	-
24266-01-135207	POM	207	35	164	130	90	13	43,4	32,8	16,1	-
24266-01-140208	POM	208	40	176	144	100	14	51,7	37,5	20	-