

Item description/product images



Description

Product description:

The magnet is connected to the workpiece stabiliser. The magnet can be positioned anywhere enabling flexible placement on the machine table.

Note:

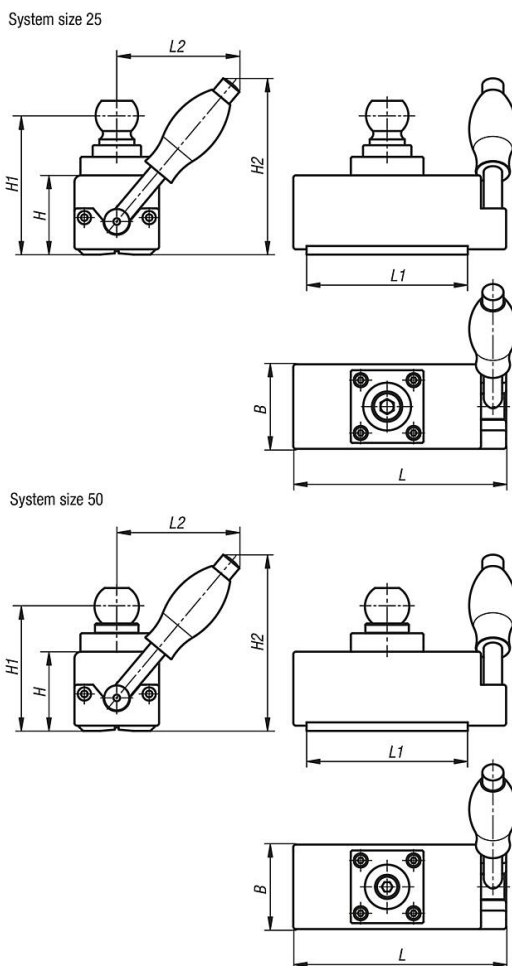
Maximum hold with the magnet 02403-25161064 for workpiece stabiliser system size 25 is achieved with a material thickness from 8 mm.

Maximum hold with the magnet 02403-50205087 for workpiece stabiliser system size 50 is achieved with a material thickness from 15 mm.

Must not be used as a hoisting tool.

The clamping balls can be exchanged between the two system sizes by using the matching adapter plates.

Drawings



Overview of items

Order No.	Size	B	H	H1	H2	L	L1	L2	Magnetic force N	weight kg
02403-25161064	25	64	60	102	133	161	122	92	1470	3,73
02403-50205087	50	87	78	134	181	205	162	145	1960	8,6

