

Item description/product images



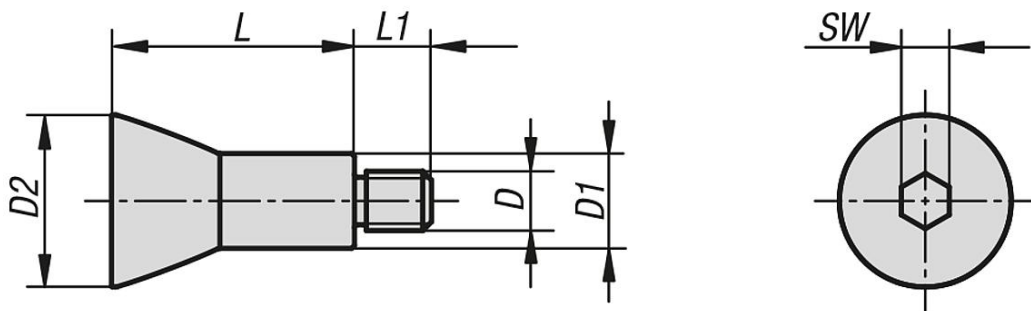
Description

Material:
Carbon steel.

Version:
hardened and nickel-plated.

Note:
The traction cone is required for the collet for internal clamping.

Drawings



Overview of items

Order No.	D	D1	D2	L	L1	SW
03169-0829	M8	13,2	22,5	29	10	6
03169-1035	M10	16	27	35	11	8
03169-1041	M10	16	29	41	13	8
03169-1247	M12	18	33	47	14	10