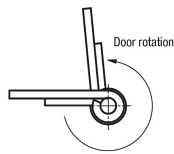
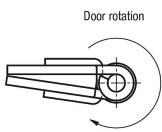


Item description/product images



Hinges with closing spring

Hinges with opening spring



Description

Material:

Steel, 1.4301 stainless steel or 5754 aluminium.
Tension spring steel or stainless steel.

Version:

Steel bright or electro zinc-plated
Stainless steel and aluminium, bright.
Tension spring Zn/Al alloy.

Note:

Barrel hinges.
Opening angle 270°.

Opening spring torque:

$M(0^\circ) : 0.85 \text{ Nm} / M(90^\circ) : 0.56 \text{ Nm} / M(180^\circ) : 0.28 \text{ Nm}$

Closing spring torque:

$M(0^\circ) : 0.28 \text{ Nm} / M(90^\circ) : 0.56 \text{ Nm} / M(180^\circ) : 0.85 \text{ Nm}$

By the aluminium hinges, the tension springs are steel alloyed with Zn/Al.

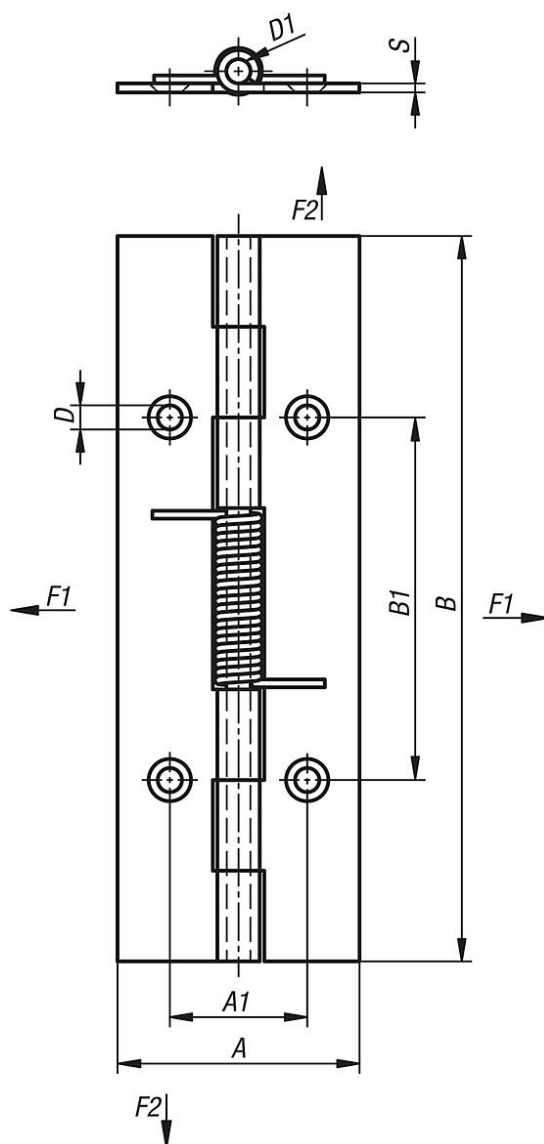
Form A: without holes

Form B: with holes

The loading values given for the hinges are non-binding reference values without consideration of safety factors and exclude any liability. The values given are for information purposes only and do not constitute a legally binding assurance of properties.

These load values were determined under laboratory conditions. Each user must determine individually whether the hinge is suitable for the respective application. Different materials onto which the hinges are installed and the type of mounting, weather conditions and wear can influence the determined values.

Drawings



Overview of items

Order No.	Form	Version 1	Main material	Surface finish body	A	A1	B	B1	D	D1	S	F1 N	F2 N
27902-4012000	A	spring open	steel	bright	40	-	120	-	-	4	1,5	1970	5420
27902-4012001	B	spring open	steel	galvanised	40	22,7	120	60	4	4	1,5	1970	5420
27902-14012000	A	spring open	stainless steel A2	bright	40	-	120	-	-	4	1,5	4100	10300
27902-14012001	B	spring open	stainless steel A2	bright	40	22,7	120	60	4	4	1,5	4100	10300
27902-24012000	A	spring open	aluminium	bright	40	-	120	-	-	4	1,5	1970	5420
27902-24012001	B	spring open	aluminium	bright	40	22,7	120	60	4	4	1,5	1970	5420
27902-4012010	A	spring closed	steel	bright	40	-	120	-	-	4	1,5	1970	5420
27902-4012011	B	spring closed	steel	galvanised	40	22,7	120	60	4	4	1,5	1970	5420
27902-14012010	A	spring closed	stainless steel A2	bright	40	-	120	-	-	4	1,5	4100	10300
27902-14012011	B	spring closed	stainless steel A2	bright	40	22,7	120	60	4	4	1,5	4100	10300
27902-24012010	A	spring closed	aluminium	bright	40	-	120	-	-	4	1,5	1970	5420
27902-24012011	B	spring closed	aluminium	bright	40	22,7	120	60	4	4	1,5	1970	5420

Overview of items
