

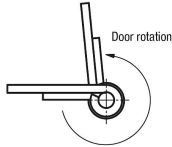
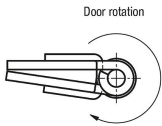
Item description/product images

Description

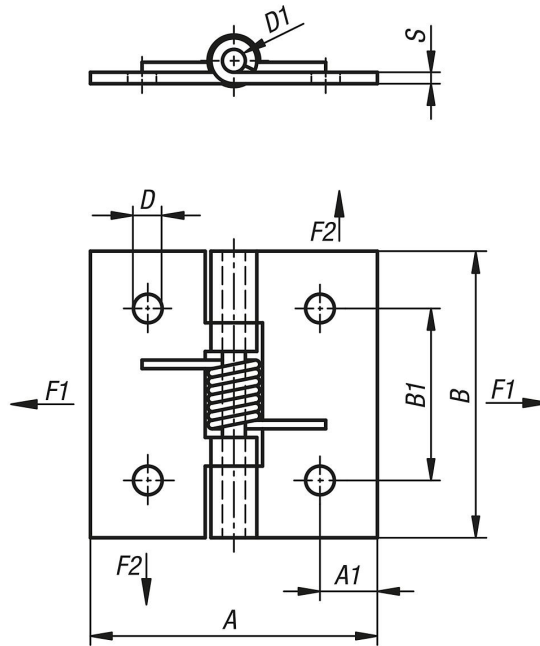


Hinges with closing spring

Hinges with opening spring



Drawings



Overview of items

Order No.	Version 1	Main material	A	A1	B	B1	D	D1	S	F1 N	F2 N
27900-50500	spring open	steel	50	9	50	30	5	4	2	1200	1200
27900-150500	spring open	stainless steel A2	50	10	50	30	5	4	2	2780	2830
27900-250500	spring open	aluminium	50	9	50	30	5	4	2	1030	2110
27900-50501	spring closed	steel	50	9	50	30	5	4	2	1200	1200
27900-150501	spring closed	stainless steel A2	50	10	50	30	5	4	2	2780	2830
27900-250501	spring closed	aluminium	50	9	50	30	5	4	2	1030	2110

Overview of items
