

## Item description/product images



## Description

**Material:**

Aluminium 6060 T5.  
Screws and nuts stainless steel.  
Washers PA.

**Version:**

Black anodised

**Note:**

These hinges have a detent mechanism. These index every 30° from 0° to 270° and hold doors or hatches open or tightly closed.  
The detent torque is not adjustable.  
Torque tolerance  $\pm 20\%$

Fastened using DIN 7991 countersunk screws.

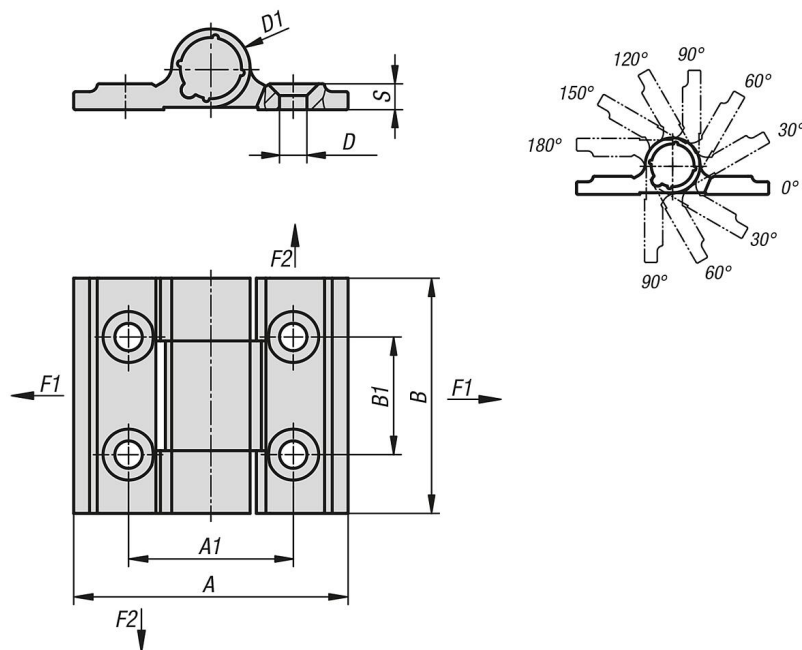
The loading values given for the hinges are non-binding reference values without consideration of safety factors and exclude any liability. The values given are for information purposes only and do not constitute a legally binding assurance of properties.

These load values were determined under laboratory conditions. Each user must determine individually whether the hinge is suitable for the respective application. Different materials onto which the hinges are installed and the type of mounting, weather conditions and wear can influence the determined values.

**Temperature range:**

From -30°C to +70°C

## Drawings



## Overview of items

Order No.	A	A1	B	B1	D	D1	S	F1 N	F2 N	Max. torque Nm
27861-35301	35	21	30	15	3,5	10	3,3	2260	1380	0,3