



Description

Material:

Steel version:

Indexing pin hardened:

Threaded sleeve and indexing pin steel.

Stainless steel version:

Indexing pin not hardened:

Threaded sleeve and indexing pin 1.4305.

Mushroom knob black grey thermoplastic.

Thread lock blue polyamide.

Version:

Steel version:

Indexing pin hardened, ground, black oxidised.

Stainless steel version:

Indexing pin not hardened, ground, bright.

Note:

Indexing plungers are used to prevent any change in locking position due to lateral forces. A new locking position can only be set after the pin has been manually disengaged. Form CP is recommended for applications where the plunger remains disengaged over a long period and the pin should be prevented from springing back. The thread lock enables the plunger to be screwed in to the exact depth required, no spacer ring is required.

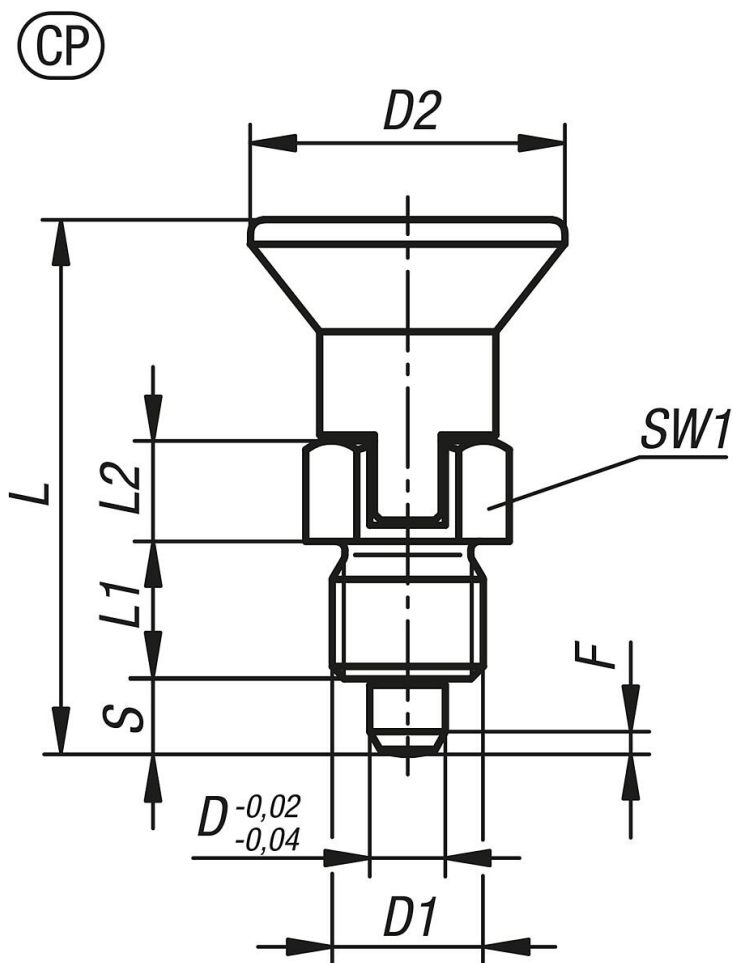
The thread lock is a gripping polyamide coating that is applied punctiform (spot).

On request:

Special versions.

Accessory:

Spacer rings 03089



Overview of items

Order No. steel	Order No. stainless steel	Form	D	D1	D2	L	L1	L2	Travel S	SW1	Fx30°	Spring force initial pressure F1 approx. N	Spring force final pressure F2 approx. N
03089-97903	03089-197903	CP	3	M6x0,75	14	25,5	6	5	3,5	8	0,8	4	10
03089-97004	03089-197004	CP	4	M8x1	18	29,5	6	6	4	10	1	4	12
03089-97105	03089-197105	CP	5	M10x1	21	34,5	8	7	5	13	1,3	5	12
03089-97206	03089-197206	CP	6	M12x1,5	25	41,7	10	8	6	14	1,8	6	14
03089-97308	03089-197308	CP	8	M16x1,5	33	54	12	10	8	19	2,3	14	28
03089-97410	03089-197410	CP	10	M20x1,5	33	61	15	12	10	22	2,8	15	32