

Item description/product images



Description

Material:

Steel version:
Indexing pin not hardened:
Threaded sleeve 1.0718.
Indexing pin 1.4305.

Stainless steel version:
Indexing pin not hardened:
Threaded sleeve 1.4305.
Indexing pin 1.4305.

Mushroom knob black grey thermoplastic.

Version:

Steel version:
Indexing pin not hardened:
Threaded sleeve, blue chromed.
Indexing pin bright.

Stainless steel version:
Indexing pin not hardened:
Steel parts bright.

Note:

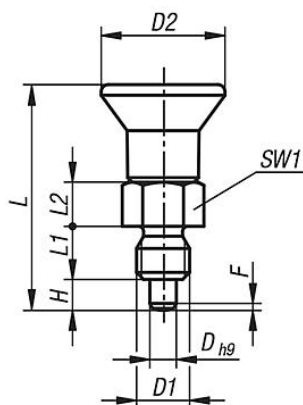
This article is a cost-efficient alternative to the existing indexing plungers. It is suitable for applications which require less precision.
The max. tightening torque should be observed when assembling.

On request:

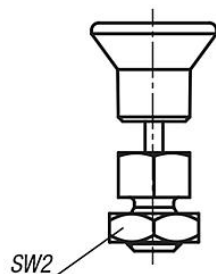
Special versions.

Drawings

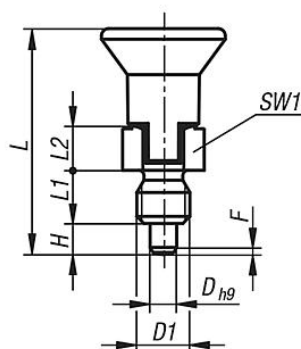
Form A
non-lockout type
without locknut



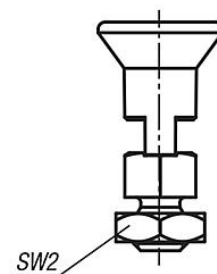
Form B
non-lockout type
with locknut



Form C
lockout type
without locknut



Form D
lockout type
with locknut



Overview of items

Order No. Form A	Order No. Form B	Order No. Form C	Order No. Form D	D	D1	D2	L	L1	L2	H	SW1	SW2	F x 30°	Spring force initial pressure F1 approx. N	Spring force final pressure F2 approx. N	Tightening torque max. Nm
03090-01903060	03090-02903060	03090-03903060	03090-04903060	3	M6	14	25,5	6	5	3,5	8	-/10-/10	0,8	3,5	8	2
03090-01004080	03090-02004080	03090-03004080	03090-04004080	4	M8	18	29,5	6	6	4	10	-/13-/13	1	3,5	9	2
03090-01105100	03090-02105100	03090-03105100	03090-04105100	5	M10	21	34,5	8	7	5	13	-/17-/17	1,3	6	12	7
03090-01206120	03090-02206120	03090-03206120	03090-04206120	6	M12	25	41,7	10	8	6	14	-/19-/19	1,8	6	12	15
03090-01308160	03090-02308160	03090-03308160	03090-04308160	8	M16	33	54	12	10	8	19	-/24-/24	2,3	6	13	20

Order No. Form A	Order No. Form B	Order No. Form C	Order No. Form D	D	D1	D2	L	L1	L2	H	SW1	SW2	F x 30°	Spring force initial pressure F1 approx. N	Spring force final pressure F2 approx. N	Tightening torque max. Nm
03090-11903060	03090-12903060	03090-13903060	03090-14903060	3	M6	14	25,5	6	5	3,5	8	-/10-/10	0,8	3,5	8	2
03090-11004080	03090-12004080	03090-13004080	03090-14004080	4	M8	18	29,5	6	6	4	10	-/13-/13	1	3,5	9	2
03090-11105100	03090-12105100	03090-13105100	03090-14105100	5	M10	21	34,5	8	7	5	13	-/17-/17	1,3	6	12	7
03090-11206120	03090-12206120	03090-13206120	03090-14206120	6	M12	25	41,7	10	8	6	14	-/19-/19	1,8	6	12	15
03090-11308160	03090-12308160	03090-13308160	03090-14308160	8	M16	33	54	12	10	8	19	-/24-/24	2,3	6	13	20