

Item description/product images

**Description****Material:**

Steel version:
Indexing pin hardened:
pin 1.0718
threaded sleeve 1.0718.

Stainless steel version:
Indexing pin hardened:
pin 1.4305
threaded sleeve 1.4305.

T-grip thermoplastic, black grey or traffic red RAL 3020.

Version:

Steel version:
indexing pin hardened, ground and black oxidised.
Threaded sleeve black oxidised

Stainless steel version:
indexing pin hardened, ground and bright.
Threaded sleeve bright.

Note:

Indexing plungers are used to prevent any change in locking position due to lateral forces. A new locking position can only be set after the pin has been manually disengaged. The ergonomic T-grip enables easy handling and low effort.

On request:

Special versions.

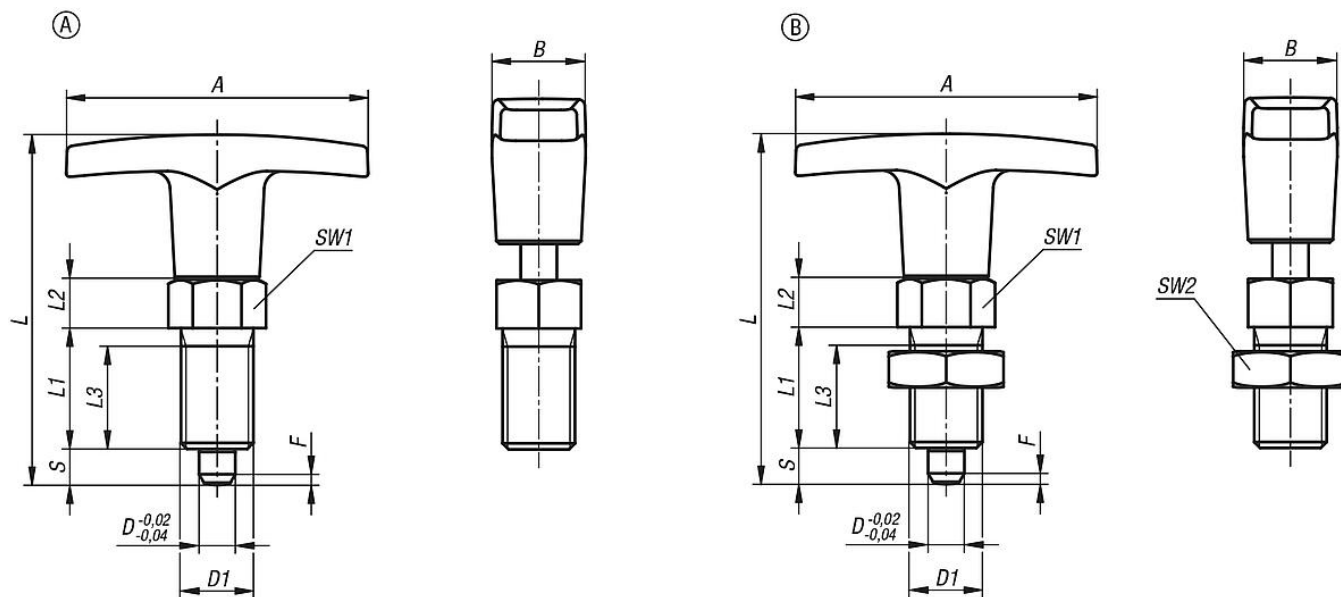
Accessory:

Spacer rings 03089

Drawing reference:

Form A: without locknut
Form B: with locknut

Drawings



Overview of items

Indexing plungers, steel, indexing pin hardened

Order No. Form A	Order No. Form B	Component colour	A	B	D	D1	L	L1	L2	L3	Travel S	SW1	SW2	Fx30°	Spring force initial pressure F1 approx. N	Spring force final pressure F2 approx. N
03090-5206	03090-6206	black grey RAL 7021	50	15,5	6	M12x1,5	58	20	8	17	6	14	-/19	1,8	6	14
03090-5308	03090-6308	black grey RAL 7021	60	18	8	M16x1,5	77	26	10	23	8	19	-/24	2,3	15	35
03090-5410	03090-6410	black grey RAL 7021	72	19	10	M20x1,5	84	28	12	25	10	22	-/30	2,8	15	34
03090-520684	03090-620684	traffic red RAL 3020	50	15,5	6	M12x1,5	58	20	8	17	6	14	-/19	1,8	6	14
03090-530884	03090-630884	traffic red RAL 3020	60	18	8	M16x1,5	77	26	10	23	8	19	-/24	2,3	15	35
03090-541084	03090-641084	traffic red RAL 3020	72	19	10	M20x1,5	84	28	12	25	10	22	-/30	2,8	15	34

Indexing plungers, stainless steel, indexing pin hardened

Order No. Form A	Order No. Form B	Component colour	A	B	D	D1	L	L1	L2	L3	Travel S	SW1	SW2	Fx30°	Spring force initial pressure F1 approx. N	Spring force final pressure F2 approx. N
03090-05206	03090-06206	black grey RAL 7021	50	15,5	6	M12x1,5	58	20	8	17	6	14	-/19	1,8	6	14
03090-05308	03090-06308	black grey RAL 7021	60	18	8	M16x1,5	77	26	10	23	8	19	-/24	2,3	15	35
03090-05410	03090-06410	black grey RAL 7021	72	19	10	M20x1,5	84	28	12	25	10	22	-/30	2,8	15	34
03090-0520684	03090-0620684	traffic red RAL 3020	50	15,5	6	M12x1,5	58	20	8	17	6	14	-/19	1,8	6	14
03090-0530884	03090-0630884	traffic red RAL 3020	60	18	8	M16x1,5	77	26	10	23	8	19	-/24	2,3	15	35
03090-0541084	03090-0641084	traffic red RAL 3020	72	19	10	M20x1,5	84	28	12	25	10	22	-/30	2,8	15	34