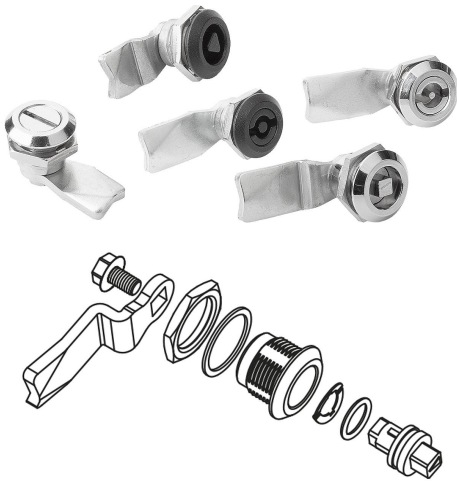


Item description/product images



Description

Material:

Housing, actuator and nut die-cast zinc.
O-ring NBR, flat seal PUR.
Tongue steel.

Version:

Housing and actuator, trivalent passivated or black powder-coated.
Nut and tongue, electro zinc-plated.

Note:

Quarter-turn lock is vibration-resistant through a detent mechanism in the end position. Right or left mounting with 90° closing and internal rotation limit. The quarter-turn lock can be installed pre-assembled (limitations by small A-dimensions and thick doors). Tested according to DIN EN 60068-2-64 (vibration) and DIN EN 60068-2-27 (shock), test standard 61373. Vibration-proof as per rail applications category 1, class B (highest requirement). The fastening nut has claws allowing it to be used as an earthing nut.

Water and dust proof as per IP65 through O-ring and foamed-on PUR seal.

Order the required tongue version separately. Every tongue can be combined with every housing.

Accessory:

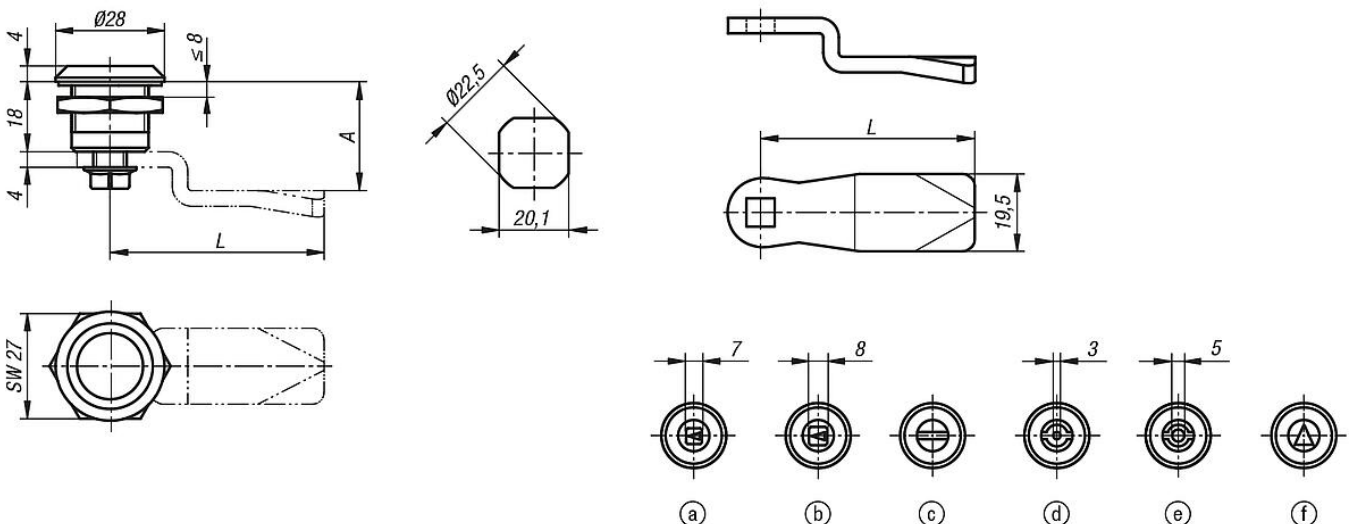
Lock key 05586

Drawing reference:

Actuation:

- a) square 7 mm
- b) square 8 mm
- c) slot
- d) double lug 3 mm
- e) double lug 5 mm
- f) triangle 8 mm

Drawings



Overview of items

Quarter-turn lock

Order No.	Colour	Actuation
05566-17181	-	square 7 mm
05566-18181	-	square 8 mm
05566-20181	-	slot
05566-43181	-	double lug 3 mm
05566-45181	-	double lug 5 mm
05566-88181	-	triangle 8 mm
05566-17182	black	square 7 mm
05566-18182	black	square 8 mm
05566-20182	black	slot
05566-43182	black	double lug 3 mm
05566-45182	black	double lug 5 mm
05566-88182	black	triangle 8 mm

Tongue for quarter-turn lock

Order No.	A	L
05570-145X040	-	45
05570-145X060	-	45
05570-145X080	-	45
05570-145X100	-	45
05570-145X120	-	45
05570-145X140	-	45
05570-145X160	-	45
05570-145X180	-	45
05570-145X200	-	45
05570-145X220	-	45
05570-145X240	-	45
05570-145X260	-	45
05570-145X280	-	45
05570-145X300	-	45
05570-145X320	-	45
05570-145X340	-	45
05570-145X360	-	45
05570-145X380	-	45
05570-145X400	-	45
05570-145X420	-	45
05570-145X440	-	45
05570-145X460	-	45
05570-145X480	-	45
05570-145X500	-	45
05570-135X160	-	35
05570-135X180	-	35
05570-135X200	-	35
05570-135X220	-	35
05570-135X240	-	35