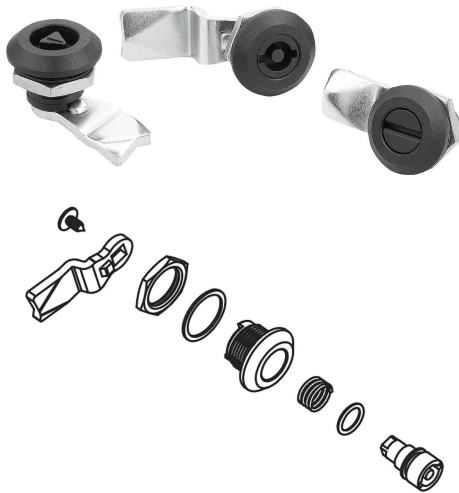


Item description/product images



Description

Material:

Housing and actuator PA6 fibreglass reinforced plastic.
Nut die-cast zinc.
O-ring NBR, flat seal CR.
Tongue steel.

Version:

Housing and actuator black.
Nut and tongue electro zinc-plated.

Note:

Quarter-turn lock with spring-loaded tongue. Right or left mounting with 90° closing.
The quarter-turn lock can be installed pre-assembled (limitations by a small A-dimension and thick doors).

Water and dust proof as per IP65 through the O-ring and flat seal.

Order required tongue version separately. Every tongue can be combined with every housing.

Accessory:

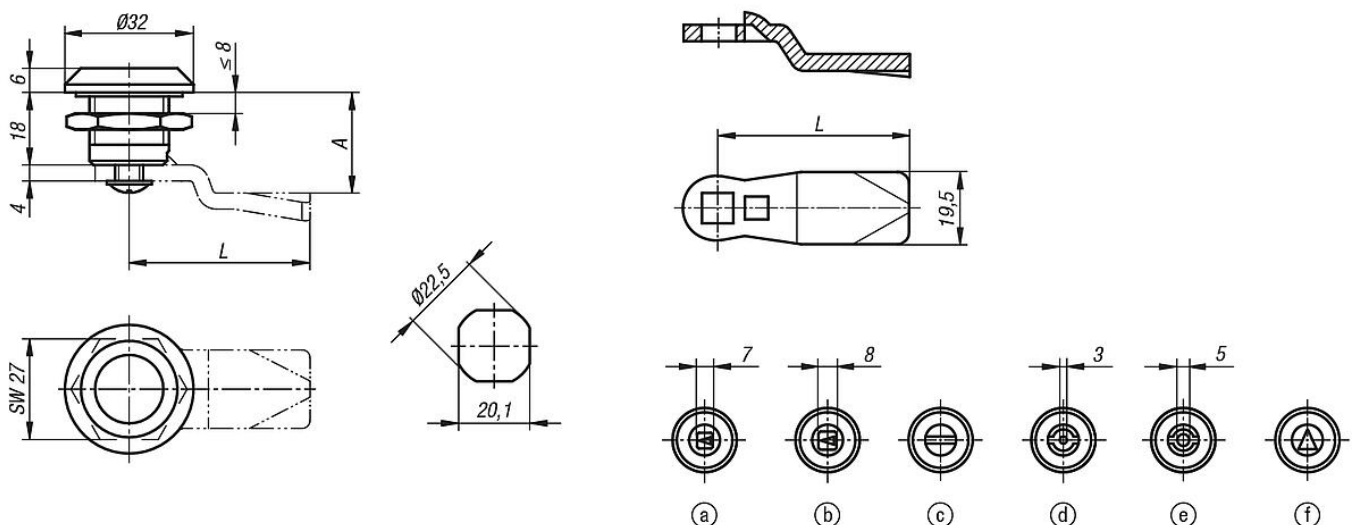
Lock key 05586

Drawing reference:

Actuation:

- a) square 7 mm
- b) square 8 mm
- c) slot
- d) double lug 3 mm
- e) double lug 5 mm
- f) triangle 8 mm

Drawings



Overview of items

Overview of items

Quarter-turn locks polyamide

Order No.	Actuation
05567-17185	square 7 mm
05567-18185	square 8 mm
05567-20185	slot
05567-43185	double lug 3 mm
05567-45185	double lug 5 mm
05567-88185	triangle 8 mm

Tongue for quarter-turn lock

Order No.	A for housing length H=18	L
05569-135X	16	35
05569-135X	18	35
05569-135X	20	35
05569-135X	22	35
05569-135X	24	35
05569-145X	4	45
05569-145X	6	45
05569-145X	8	45
05569-145X	10	45
05569-145X	12	45
05569-145X	14	45
05569-145X	16	45
05569-145X	18	45
05569-145X	20	45
05569-145X	22	45
05569-145X	24	45
05569-145X	26	45
05569-145X	28	45
05569-145X	30	45
05569-145X	32	45
05569-145X	34	45
05569-145X	36	45
05569-145X	38	45
05569-145X	40	45
05569-145X	42	45