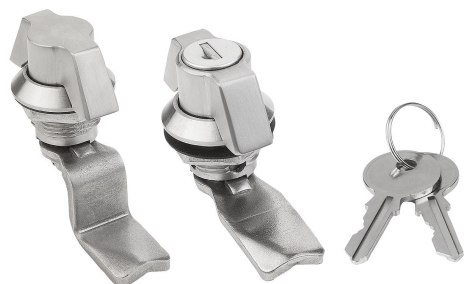


Item description/product images



Description

Material:

Quarter-turn lock 1.4401 stainless steel.
Tongue 1.4301 stainless steel.

Version:

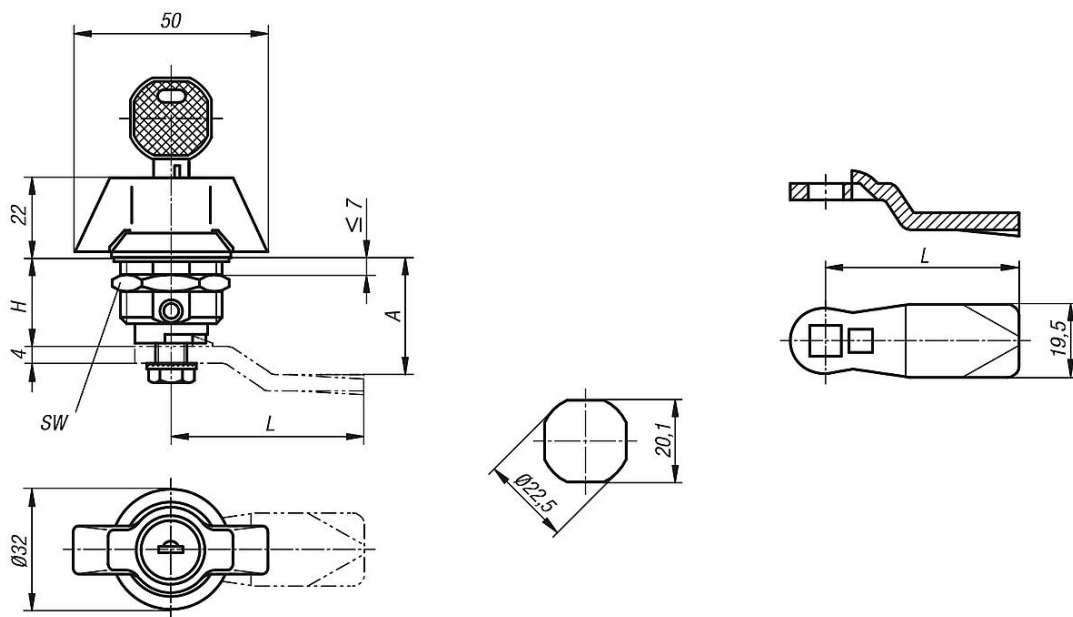
Bright.

Note:

Quarter-turn lock with wing grip. For right or left mounting with 90° closing. The quarter-turn lock can be installed pre-assembled. Supplied with standard stainless-steel nut. The lockable quarter-turn lock is supplied with 2 keys. The key can be removed in both the closed and open position. The cylinder locks have a single-key system i.e. the same key works in all locks (lock type 1333).

Order the desired tongue separately. Every tongue can be combined with this housing.

Drawings



Overview of items

Quarter-turn locks, stainless steel with wing grip

Order No.	Actuation	H	SW
05589-1186	wing grip	18	27
05589-2186	lockable grip	18	27

Tongue for quarter-turn locks

Order No.	A for housing length H=18	L
05569-245X180	18	45

Overview of items

Order No.	A for housing length H=18	L
05569-245X200	20	45
05569-245X240	24	45
05569-245X280	28	45
05569-245X320	32	45
05569-245X340	34	45
05569-245X360	36	45
05569-245X380	38	45
05569-245X400	40	45
05569-245X420	42	45