

Item description/product images



Description

Material:

Stainless steel 1.4401.

Version:

Bright.

Note:

Lockable quarter-turn lock for right or left mounting with 90° closing. The quarter-turn lock can be installed pre-assembled. This lockable quarter-turn lock is supplied with 2 keys. The key can be removed in both the closed and open position. The cylinder locks have a single-key system i.e. the same key works in all locks (lock type 1333).

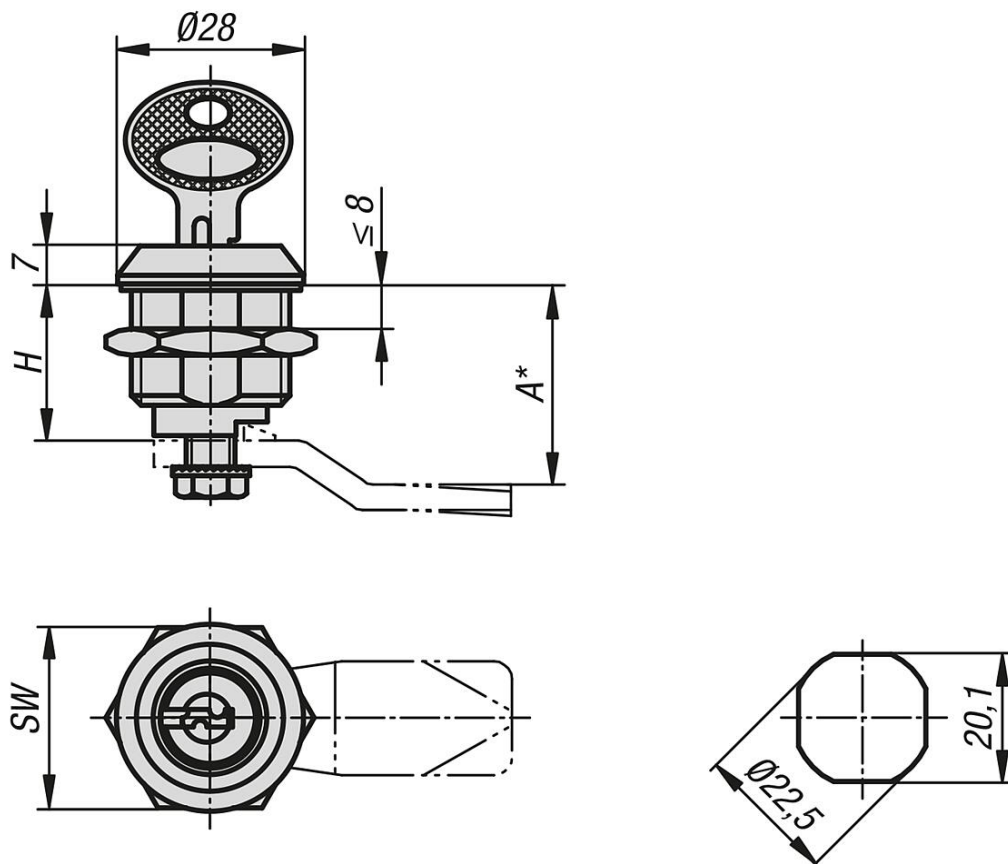
Please order required tongue separately. Every tongue can be combined with this housing.

Accessory:

Tongue for stainless steel quarter-turn lock 05569.

Key for quarter-turn lock 05586.

Drawings



Overview of items

Order No.	Actuation	H	SW
05588-186	key single-key system	18	27