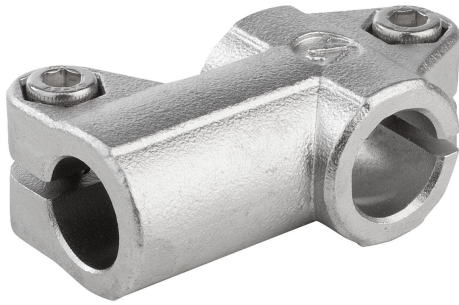


Item description/product images

**Description****Material:**

Investment cast 1.4308 stainless steel.

ISO 4762 cap screw and ISO 4032 hex nut, stainless steel.

From $\varnothing 30$ mm ISO 4017 hex head bolt, stainless steel.

Version:

Electropolished.

Note:

The tube clamps with diameters 30 and 40 mm have a silicone sleeve that protects the thread of the hex head screw from contamination and damage.

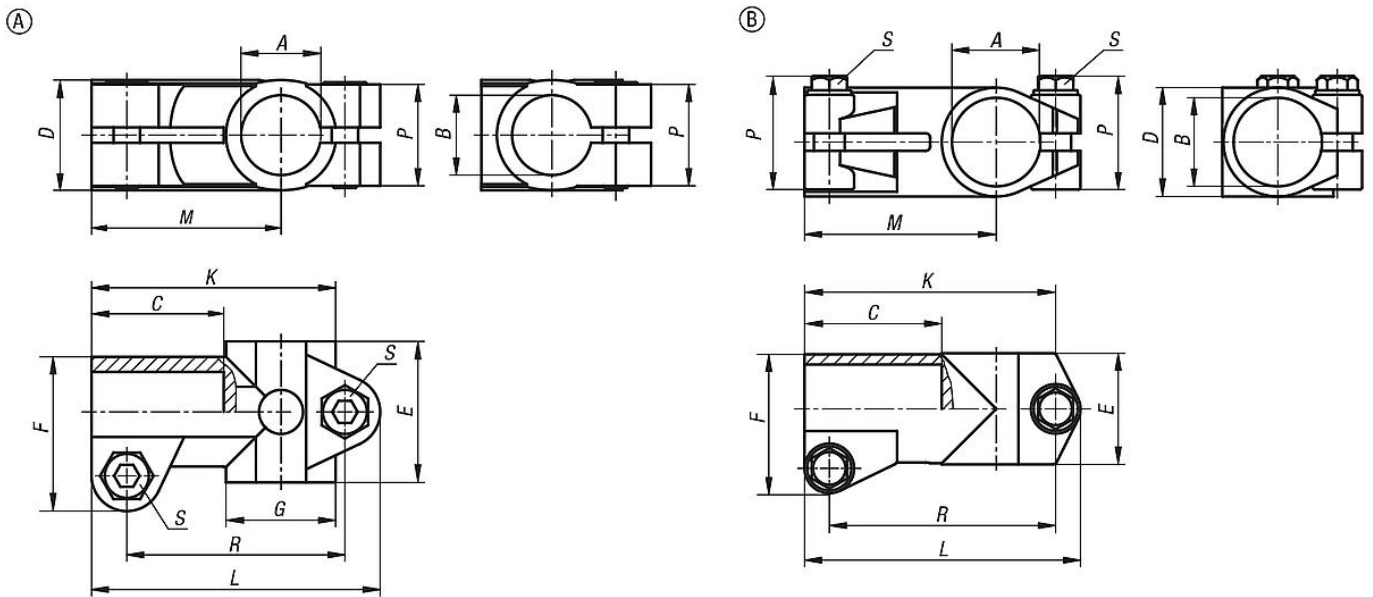
On request:

Clamping levers for tightening.

Accessory:

- Round and square tubes 29050

Drawings



Overview of items

Order No.	Form	A	B	C	D	E	F	G	K	L	M	P	R	S
29006-11212	A	12,1	12,1	30,5	25	32	35	25	55,5	65,5	43	23	49,5	M6x18
29006-11414	A	14,1	14,1	30,5	25	32	35	25	55,5	65,5	43	23	49,5	M6x18
29006-11616	A	16,1	16,1	30,5	25	32	35	25	55,5	65,5	43	23	49,5	M6x18
29006-11818	A	18,1	18,1	30,5	25	32	35	25	55,5	65,5	43	23	49,5	M6x18
29006-12020	A	20,1	20,1	30,5	25	32	35	25	55,5	65,5	43	23	49,5	M6x18
29006-13030	B	30,1	30,1	40	38,4	38	48	-	78	87	58	45,5	69	M8x30
29006-14040	B	40,17	40,17	60	50,4	50	63	-	112	124,9	87	52	102,5	M10x35