

Item description/product images



Description

Material:

Housing and clamping ring carbon steel 1.0503.
 Locating pins carbon steel 1.7220.
 Collet aluminium 3.4365.

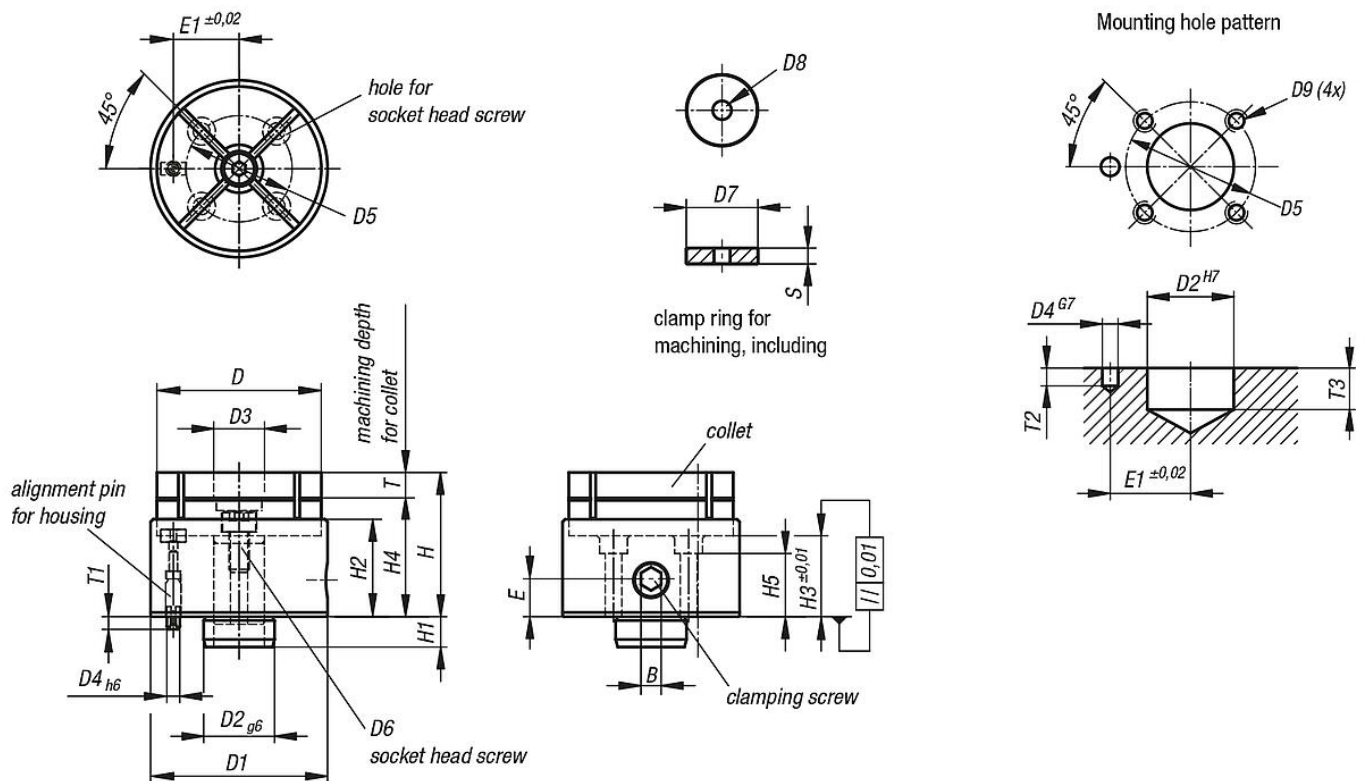
Version:

Housing, locating pins and clamping ring black oxidised.
 Collet blue anodised.

Note:

Do not tighten the clamping screw without the clamping ring or a workpiece in the collet.
 Tighten the clamping screw on the side to clamp the workpiece around its circumference.
 The collet can be machined to suit the contour of the workpiece.
 Ideal clamping element for machining workpieces on machining centres, milling centres, 5-axis machines, etc.

Drawings



Overview of items

Order No.	B	D	D1	D2	D3	D4	D5	D6	D7	D8	D9	E	E1	H	H1	H2	H3	H4	H5	T	T1	T2	T3	S	Clamping force N	Tightening torque max. Nm	Order No. Collet
03166-065057	8	65	70	28	19	6	42	M8x15	18	M4	M6	15	26	59,5	12	39	34,5	47	25	10	5	6	13	4	4000	60	03166-065025
03166-090072	10	90	95	42	23	8	60	M10x20	22	M5	M8	17	36	72,5	14	46	38,5	57	28	15	7	8	15	6	6000	100	03166-090034

