

Item description/product images



Description

Material:

Steel or stainless steel.

Version:

Steel nickel-plated.

Stainless steel bright.

Note:

Mounting dimensions for Form A:

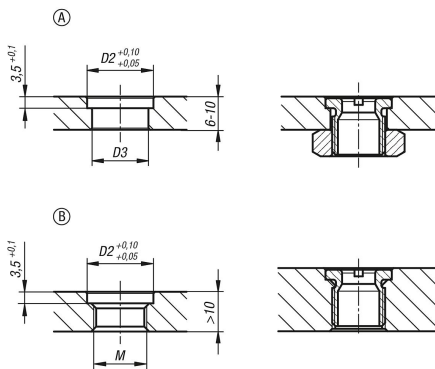
Mounting with nut, max. plate thickness 10 mm.

Mounting dimensions for Form B:

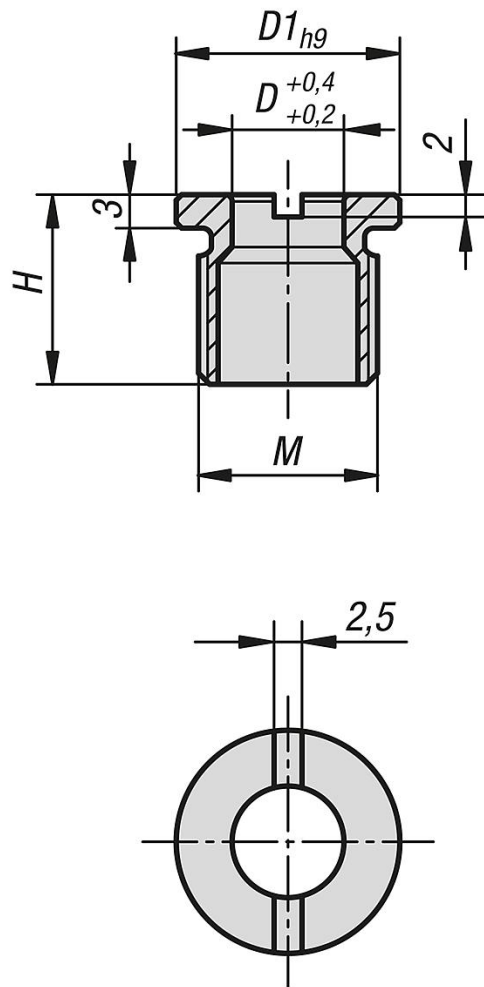
Screwed in, for plate thicknesses over 10 mm or in a blind hole.

On request:

Suitable nuts (07212) and assembly tool (03040).



Drawings



Overview of items

Order No.	Material	D	D1	M	H	D2	D3
03192-02-6	steel	6	16	M12x1,5	15	16	13
03192-02-10	steel	10	20	M16x1,5	17	20	17
03192-02-61	stainless steel	6	16	M12x1,5	15	16	13
03192-02-101	stainless steel	10	20	M16x1,5	17	20	17