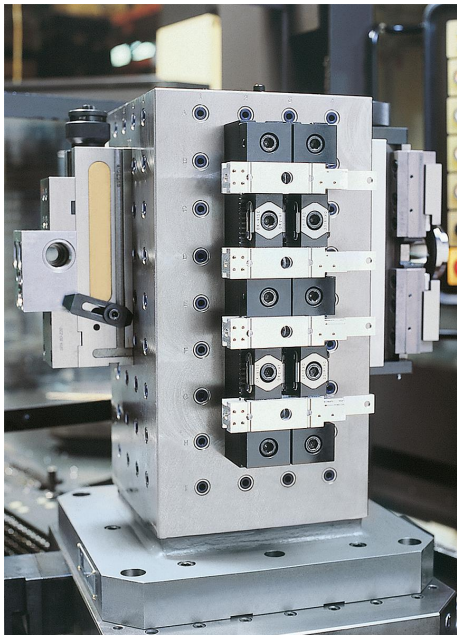
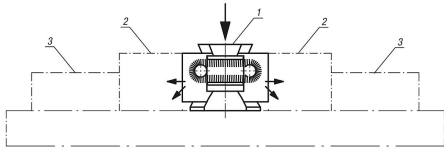


Item description/product images



Description

Material:

Body and jaw segments tool steel.

Version:

Body hardened.

Jaw segments hardened (49-51 HRC) and black oxidised.

Wedge faces ground.

Note:

Because of their compact design, the double wedge clamps are especially suitable for horizontal and vertical multiple clamping. The hardened and ground wedge surfaces make high clamping forces possible.

Optionally, the appropriate wedge clamp can be mounted either in a grid hole or T-slot. Inserting a socket head screw DIN 912 moves the two clamping segments outwards and presses the workpieces against a fixed stop.

The so-called "draw-down effect" is caused by the double wedge of this version.

Travel acc. to order No.:

04527-12 = ± 1.0 mm

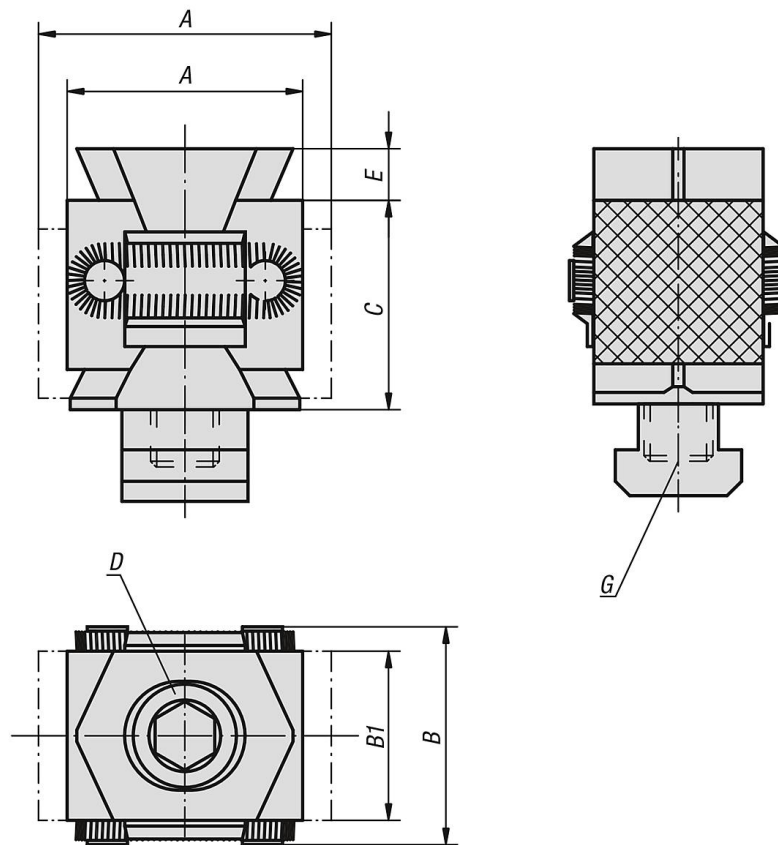
04527-16 = ± 1.5 mm

Drawing reference:

D) DIN 912 cap screw

- 1) Wedge clamps
- 2) Workpiece
- 3) Fixed stop

Drawings



Overview of items

Order No.	A min.	A max.	B	B1	C	D	E	Version 2	G	Clamping force max. kN	Tightening torque max. Nm
04527-12	42	49	41	30	36	M12X60	5	for tapped hole	M12	40	85
04527-1214	42	49	41	30	36	M12X50	5	for T-slot	14	40	85
04527-16	57	67	56	42	50	M16X80	5	for tapped hole	M16	60	210
04527-1618	57	67	56	42	50	M16X70	5	for T-slot	18	60	210