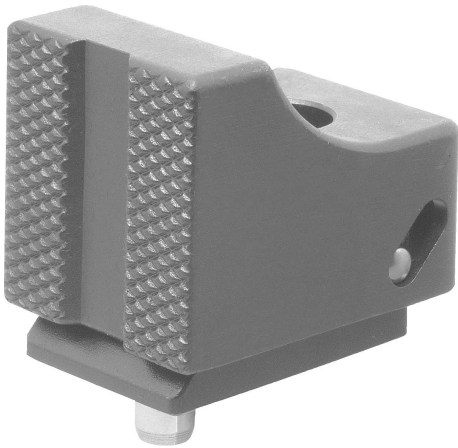


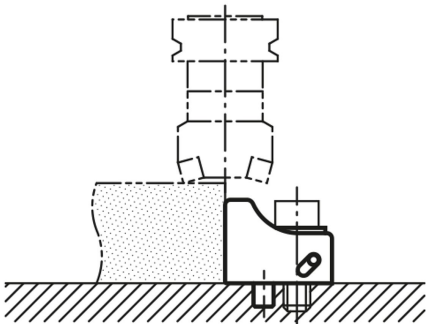
## Item description/product images



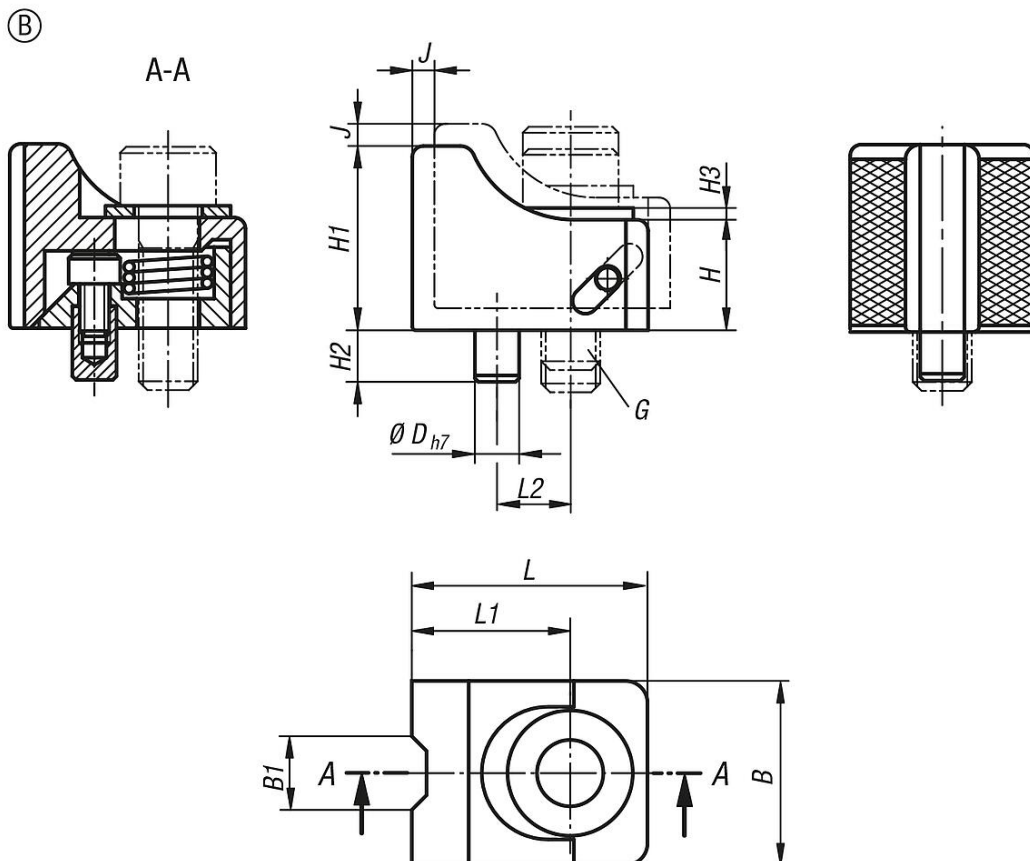
## Description

**Material:**  
Carbon steel.

**Version:**  
Tempered and black oxidised.



## Drawings



## Overview of items

Order No.	B	B1	D	G	H	H1	H2	H3	J	L	L1	L2	Clamping force N	Tightening torque Nm
04570-0825	25	10	6	M8	15	25	7	1,6	3	32	21,5	10	7000	25
04570-1032	30	11	6	M10	19	32	7	2	4	40	26	12	8500	50
04570-1238	35	12	8	M12	23	38	10	2,3	5	50	33	16	20000	90
04570-1645	40	14	10	M16	25	45	10	3,2	6	60	40	20	40000	200