

Item description/product images



Description

Material:

Black thermoplastic.

Steel grade 5.8 or stainless steel 1.4305.

Version:

Metal parts trivalent blue passivated steel or bright stainless steel.

Note:

Star grips with projecting steel bush and blind hole or internal thread are especially suited for cross pinning.

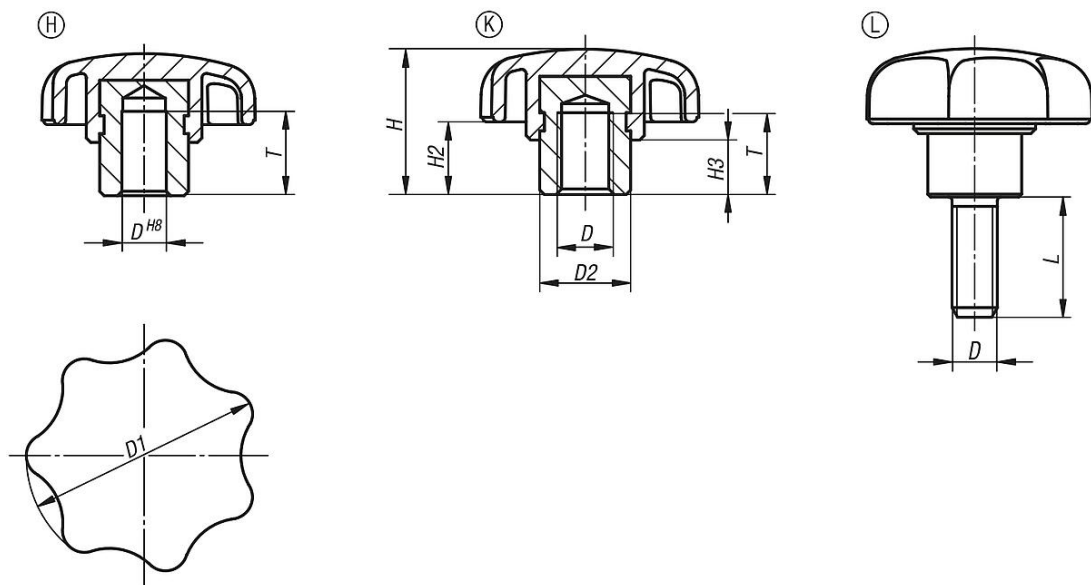
Drawing reference:

Form H: bush with blind hole

Form K: tapped bush

Form L: external thread

Drawings



Overview of items

Star grips with projecting steel bush, Form H

Order No.	Form	Component material	D	D1	D2	H	H2	H3	L	T
06210-105	H	0.0025	5	25	10	17	9	7	-	9,5
06210-106	H	0.0025	6	32	13,5	21	11	9,5	-	12,5
06210-1061	H	0.0025	6	40	13,5	25	13	10	-	12,5
06210-108	H	0.0025	8	40	13,5	25	13	10	-	12,5
06210-1081	H	0.0025	8	50	19	32	17	12	-	19,5
06210-110	H	0.0025	10	50	19	32	17	12	-	19,5
06210-1101	H	0.0025	10	63	19	37	18	12	-	19,5
06210-112	H	0.0025	12	63	19	37	18	12	-	19,5
06210-116	H	0.0025	16	63	23	40	21	15	-	24,5
06210-205	K	0.0025	M5	25	10	17	9	7	-	9
06210-206	K	0.0025	M6	32	13,5	21	11	9,5	-	12
06210-2061	K	0.0025	M6	40	13,5	25	13	10	-	12
06210-208	K	0.0025	M8	40	13,5	25	13	10	-	12

Overview of items

Order No.	Form	Component material	D	D1	D2	H	H2	H3	L	T
06210-2081	K	0.0025	M8	50	19	32	17	12	-	17
06210-210	K	0.0025	M10	50	19	32	17	12	-	17
06210-2101	K	0.0025	M10	63	19	37	18	12	-	17
06210-212	K	0.0025	M12	63	19	37	18	12	-	17
06210-216	K	0.0025	M16	63	23	40	21	15	-	23
06210-305	K	2338	M5	25	10	17	9	7	-	9
06210-306	K	2338	M6	32	13,5	21	11	9,5	-	12
06210-3061	K	2338	M6	40	13,5	25	13	10	-	12
06210-308	K	2338	M8	40	13,5	25	13	10	-	12
06210-3081	K	2338	M8	50	19	32	17	12	-	17
06210-310	K	2338	M10	50	19	32	17	12	-	17
06210-3101	K	2338	M10	63	19	37	18	12	-	17
06210-312	K	2338	M12	63	19	37	18	12	-	17
06210-316	K	2338	M16	63	23	40	21	15	-	23
06210-405X10	L	0.0026	M5	25	10	17	9	7	10	-
06210-405X15	L	0.0026	M5	25	10	17	9	7	15	-
06210-405X20	L	0.0026	M5	25	10	17	9	7	20	-
06210-406X10	L	0.0026	M6	32	13,5	21	11	9,5	10	-
06210-406X15	L	0.0026	M6	32	13,5	21	11	9,5	15	-
06210-406X20	L	0.0026	M6	32	13,5	21	11	9,5	20	-
06210-406X25	L	0.0026	M6	32	13,5	21	11	9,5	25	-
06210-406X30	L	0.0026	M6	32	13,5	21	11	9,5	30	-
06210-408X15	L	0.0026	M8	40	13,5	25	13	10	15	-
06210-408X20	L	0.0026	M8	40	13,5	25	13	10	20	-
06210-408X25	L	0.0026	M8	40	13,5	25	13	10	25	-
06210-408X30	L	0.0026	M8	40	13,5	25	13	10	30	-
06210-408X40	L	0.0026	M8	40	13,5	25	13	10	40	-
06210-408X50	L	0.0026	M8	40	13,5	25	13	10	50	-
06210-410X20	L	0.0026	M10	50	19	32	17	12	20	-
06210-410X25	L	0.0026	M10	50	19	32	17	12	25	-
06210-410X30	L	0.0026	M10	50	19	32	17	12	30	-
06210-410X40	L	0.0026	M10	50	19	32	17	12	40	-
06210-410X50	L	0.0026	M10	50	19	32	17	12	50	-
06210-410X60	L	0.0026	M10	50	19	32	17	12	60	-
06210-412X20	L	0.0026	M12	63	19	37	18	12	20	-
06210-412X25	L	0.0026	M12	63	19	37	18	12	25	-
06210-412X30	L	0.0026	M12	63	19	37	18	12	30	-
06210-412X40	L	0.0026	M12	63	19	37	18	12	40	-
06210-412X50	L	0.0026	M12	63	19	37	18	12	50	-
06210-412X60	L	0.0026	M12	63	19	37	18	12	60	-
06210-505X10	L	24 V DC	M5	25	10	17	9	7	10	-
06210-505X15	L	24 V DC	M5	25	10	17	9	7	15	-
06210-505X20	L	24 V DC	M5	25	10	17	9	7	20	-
06210-506X10	L	24 V DC	M6	32	13,5	21	11	9,5	10	-
06210-506X15	L	24 V DC	M6	32	13,5	21	11	9,5	15	-
06210-506X20	L	24 V DC	M6	32	13,5	21	11	9,5	20	-
06210-506X25	L	24 V DC	M6	32	13,5	21	11	9,5	25	-
06210-506X30	L	24 V DC	M6	32	13,5	21	11	9,5	30	-
06210-508X15	L	24 V DC	M8	40	13,5	25	13	10	15	-
06210-508X20	L	24 V DC	M8	40	13,5	25	13	10	20	-
06210-508X25	L	24 V DC	M8	40	13,5	25	13	10	25	-
06210-508X30	L	24 V DC	M8	40	13,5	25	13	10	30	-
06210-508X40	L	24 V DC	M8	40	13,5	25	13	10	40	-
06210-508X50	L	24 V DC	M8	40	13,5	25	13	10	50	-
06210-510X20	L	24 V DC	M10	50	19	32	17	12	20	-
06210-510X25	L	24 V DC	M10	50	19	32	17	12	25	-
06210-510X30	L	24 V DC	M10	50	19	32	17	12	30	-
06210-510X40	L	24 V DC	M10	50	19	32	17	12	40	-
06210-510X50	L	24 V DC	M10	50	19	32	17	12	50	-
06210-510X60	L	24 V DC	M10	50	19	32	17	12	60	-
06210-512X20	L	24 V DC	M12	63	19	37	18	12	20	-
06210-512X25	L	24 V DC	M12	63	19	37	18	12	25	-
06210-512X30	L	24 V DC	M12	63	19	37	18	12	30	-
06210-512X40	L	24 V DC	M12	63	19	37	18	12	40	-
06210-512X50	L	24 V DC	M12	63	19	37	18	12	50	-

Overview of items

Order No.	Form	Component material	D	D1	D2	H	H2	H3	L	T
06210-512X60	L	24 V DC	M12	63	19	37	18	12	60	-