

Item description/product images

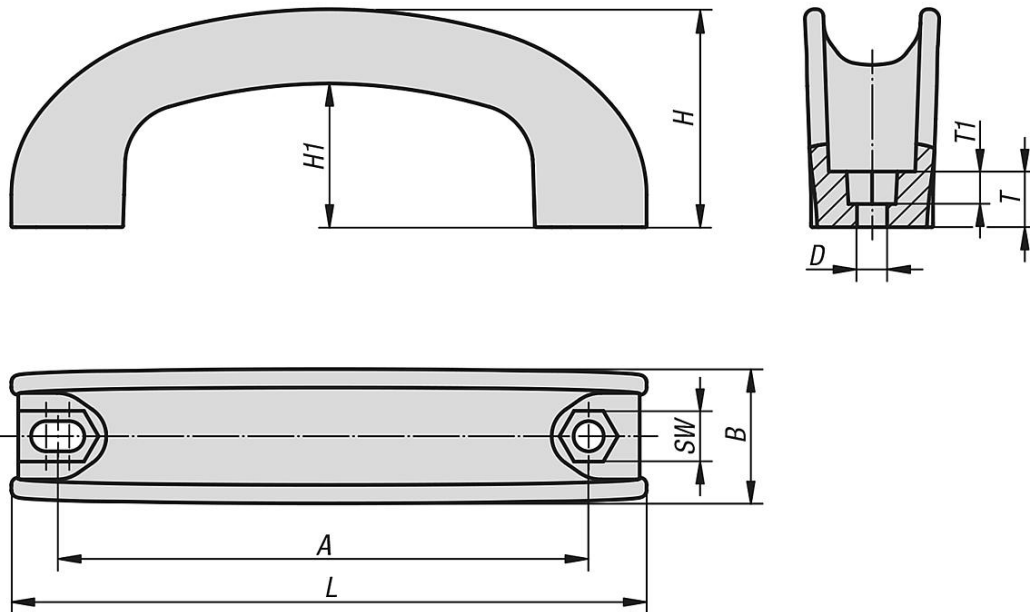


Description

Material:
Black thermoplastic.

Assembly:
From the front.

Drawings



Overview of items

Order No.	A	B	D	H	H1	L	T	T1	SW	Load capacity N
06907-09006	90-95	26,6	6,5	42	29	115	10	6,4	10,2	1000
06907-11206	112-117	29	6,5	47	31	137	12	7	10,2	1000
06907-17708	177-182	30	8,5	48,1	31	208	14	9	13,2	1000