

## Item description/product images



## Description

**Material:**

Thermoset PF 31, black or red.  
Bush electro zinc-plated steel.

**Version:**

High-gloss polished.

**Assembly:**

Assembly Form L: The ball knobs are mounted firmly by tapping a hammer lightly.  
Please only use a rubber or plastic hammer, with a weight up to 200 g!

The version 06250-21604 has a brass bush.

The versions 06250-23008, 06250-230081, 06250-23508 and 06250-24008 have copper-plated steel bushes.

**Shank tolerance:**

Ball knobs with press-fit sleeve can be mounted on standard shafts with tolerance h9. The supplied press-fit sleeve assures a firm and reliable fit.

**Drawing reference:**

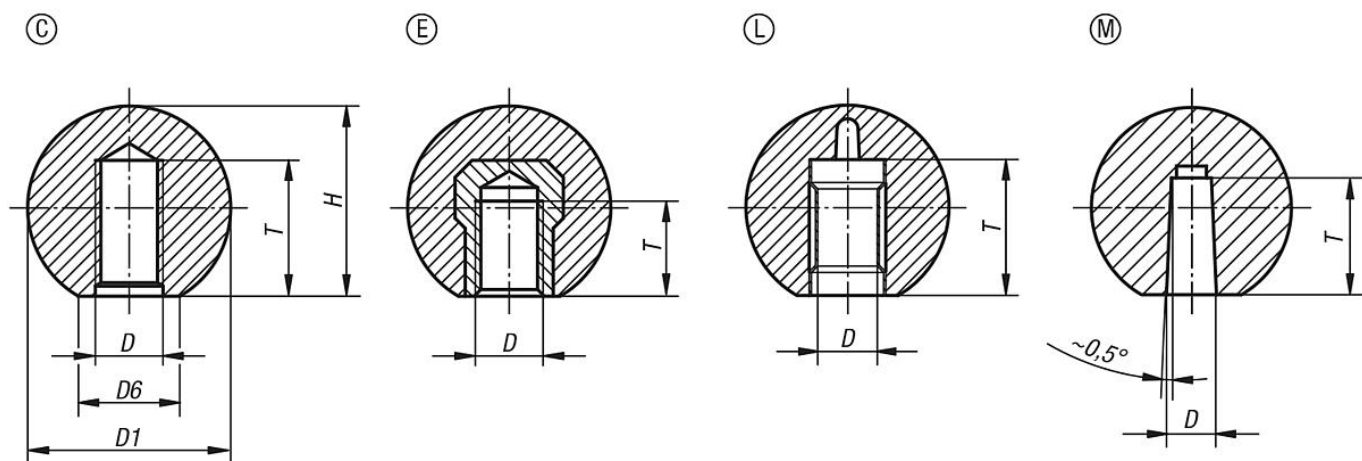
Form C: moulded thread

Form E: tapped bush

Form L: press-fit sleeve

Form M: tapered hole

## Drawings



## Overview of items

Order No.	Form	Main colour	D	D1	D6	H	T
06250-116041	C	red	M4	16	8	15	6
06250-116051	C	red	M5	16	8	15	7,5
06250-120051	C	red	M5	20	12	18	7,5
06250-120061	C	red	M6	20	12	18	9
06250-125061	C	red	M6	25	15	23	9
06250-125081	C	red	M8	25	15	23	12
06250-130081	C	red	M8	30	16	28	12
06250-132081	C	red	M8	32	18	29	12
06250-140081	C	red	M8	40	20	37,5	12
06250-135101	C	red	M10	36	17	33	15

## Overview of items

Order No.	Form	Main colour	D	D1	D6	H	T
06250-140101	C	red	M10	40	20	37,5	15
06250-150101	C	red	M10	50	22	48	15
06250-150121	C	red	M12	50	28	48	18
06250-11604	C	black	M4	16	8	15	6
06250-11605	C	black	M5	16	8	15	7,5
06250-12005	C	black	M5	20	12	18	7,5
06250-11606	C	black	M6	16	8	15	9
06250-12006	C	black	M6	20	12	18	9
06250-12506	C	black	M6	25	15	23	9
06250-12508	C	black	M8	25	15	23	12
06250-13008	C	black	M8	30	16	28	12
06250-13208	C	black	M8	32	18	29	12
06250-13508	C	black	M8	36	17	33	18
06250-14008	C	black	M8	40	20	37,5	12
06250-13210	C	black	M10	32	18	29	15
06250-13510	C	black	M10	36	17	33	15
06250-14010	C	black	M10	40	20	37,5	15
06250-14510	C	black	M10	45	20	43	15
06250-15010	C	black	M10	50	22	48	15
06250-14012	C	black	M12	40	20	37,5	18
06250-14512	C	black	M12	45	20	43	18
06250-15012	C	black	M12	50	28	48	18
06250-220051	E	red	M5	20	12	18	7,5
06250-225061	E	red	M6	25	15	23	9
06250-230081	E	red	M8	30	16	28	12
06250-235101	E	red	M10	36	17	33	14
06250-240101	E	red	M10	40	20	37,5	15
06250-240121	E	red	M12	40	20	37,5	18
06250-250121	E	red	M12	50	28	48	18
06250-21604	E	black	M4	16	8	15	6
06250-22005	E	black	M5	20	12	18	7,5
06250-22006	E	black	M6	20	12	18	9
06250-22506	E	black	M6	25	15	23	9
06250-22508	E	black	M8	25	15	23	12
06250-23008	E	black	M8	30	16	28	12
06250-23208	E	black	M8	32	18	29	12
06250-23508	E	black	M8	36	17	33	14
06250-24008	E	black	M8	40	20	37,5	14
06250-23210	E	black	M10	32	18	29	15
06250-23510	E	black	M10	36	17	33	14
06250-24010	E	black	M10	40	20	37,5	15
06250-24510	E	black	M10	45	20	43	22
06250-25010	E	black	M10	50	22	48	15
06250-24012	E	black	M12	40	20	37,5	18
06250-24512	E	black	M12	45	20	43	21
06250-25012	E	black	M12	50	28	48	18
06250-42005	L	black	5	20	12	18	13
06250-42506	L	black	6	25	15	23	16
06250-42508	L	black	8	25	15	23	15
06250-43208	L	black	8	32	18	29	15
06250-43210	L	black	10	32	18	29	20
06250-44010	L	black	10	40	20	37,5	20
06250-44012	L	black	12	40	20	37,5	23
06250-45012	L	black	12	50	28	48	20
06250-31604	M	black	4	16	8	15	9
06250-32005	M	black	5	20	12	18	12
06250-32506	M	black	6	25	15	23	15
06250-32508	M	black	8	25	15	23	15
06250-33208	M	black	8	32	18	29	15
06250-33210	M	black	10	32	18	29	15
06250-34010	M	black	10	40	20	37,5	20
06250-34012	M	black	12	40	20	37,5	20
06250-35012	M	black	12	50	28	48	22

