

Item description/product images

**Description****Material:**

Die-cast aluminium.

Version:

Bright, vibratory ground.

Note:

Stabile levelling foot which is ideally suited for conveyor units. With aligning markings to precisely position the ducks feet.

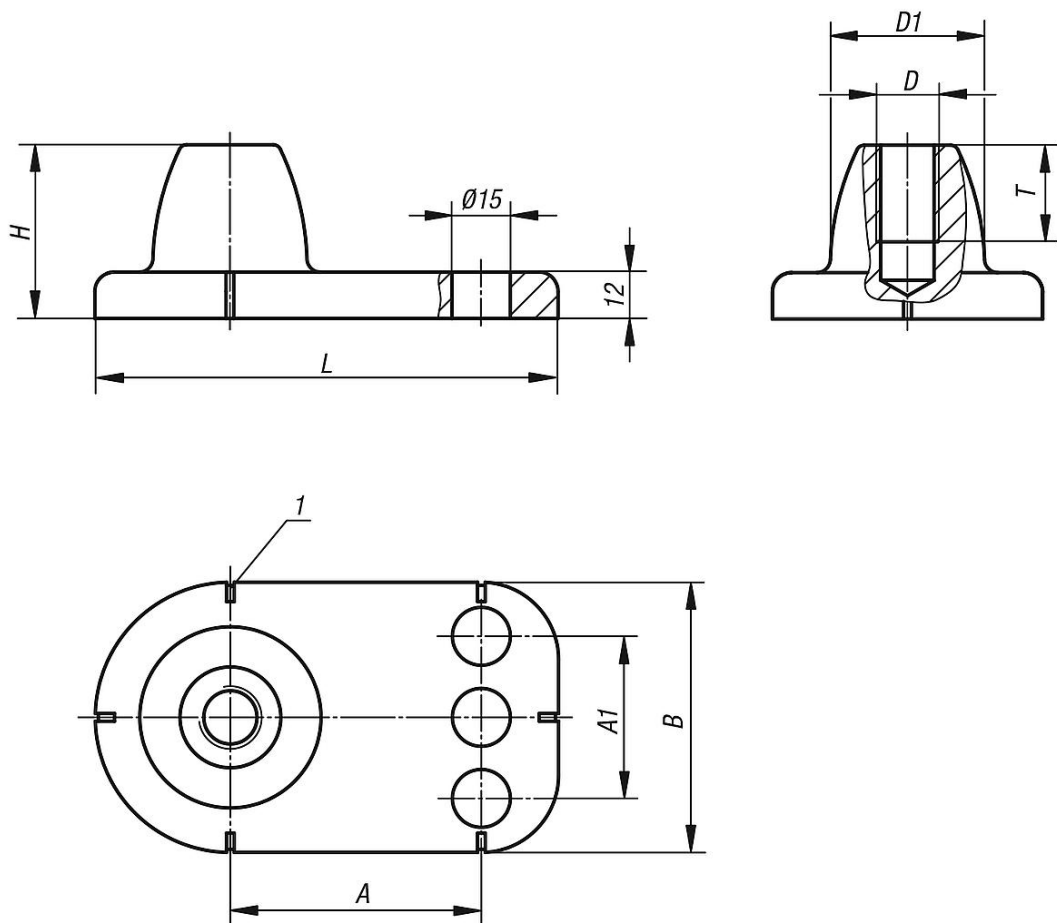
Accessory:

Matching threaded rods 07640.

Drawing reference:

1) alignment marks

Drawings



Overview of items

Order No.	A	A1	B	D	D1	H	L	T	Load capacity N
27833-161	65	-	70	M16	40	45	119,5	25	4000
27833-201	75	55	90	M20	52	50	139,5	27,5	6000