

Item description/product images



Description

Material:

Grip PA.
Spacer PA.
Pin steel.

Version:

Grip green.
Spacer black.
Pin electro zinc-plated.

Note:

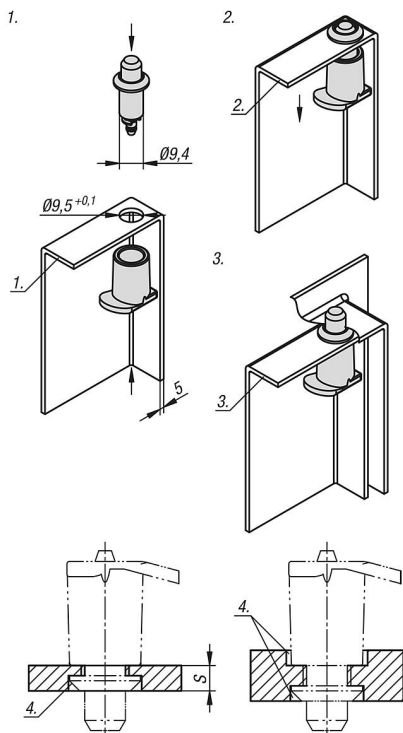
These pin hinges with spring-assisted grip are suitable for in-frame doors. The hinges are not visible to the user. They can be mounted for left or right use. The hinge opening angle is 120°.

Thanks to the spring-loaded pin, the door can be easily fitted and removed.

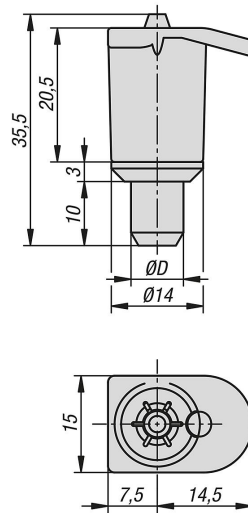
The pin hinges can also be used as indexing pins.

Assembly:

1. Installation is carried out without tools by pressing the locking pin into the grip.
2. Removing the door.
3. Mounting the door.
4. Info: The gap between two components can be adjusted by countersinking the installation hole. The clamping range (S) lies between 0-4 mm.



Drawings



Overview of items

Order No.	D
27884-90-06	6
27884-90-08	8