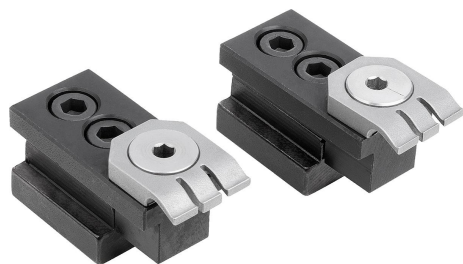
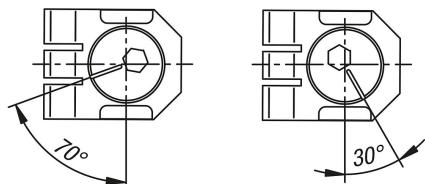


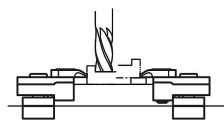
Item description/product images



Using the cam



Quick clamp 1/4 rotation



Workpiece clamped directly on the table top or supported on rests from below (e.g for drilling though).

Description

Material:

Steel body.

Clamping element and stop made from spring steel.

Version:

Base element tempered.

Note for ordering:

The order number includes one pair, made up of a clamping element and a stop.

Note:

By turning the cam screw on the clamping element the workpiece is forced downwards (positive down force). The clamping element also forces the workpiece against the stop, thereby providing a flat parallel seating.

The stop side provides a reference that makes precise replications possible.

Cam hub: 1.2 mm.

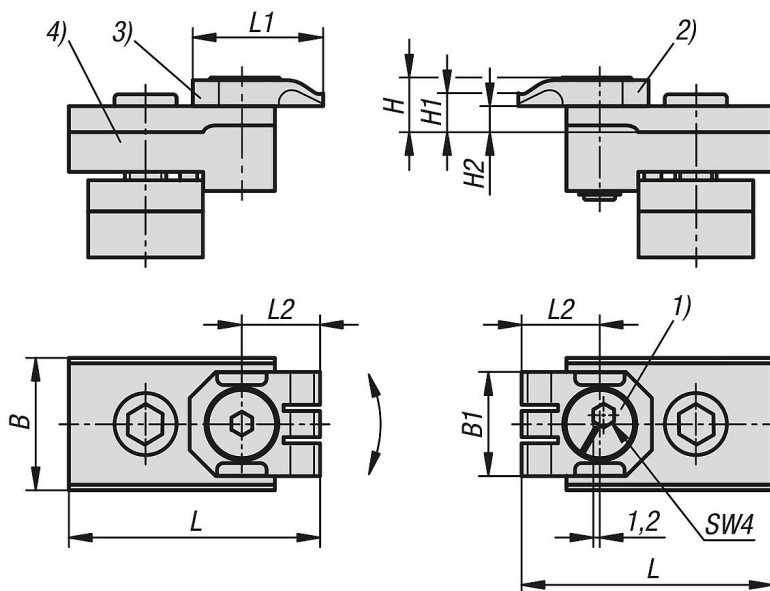
Application:

Suitable for clamping multiple and individual parts on fixtures and T-slot tables.

Drawing reference:

- 1) Cam screw
- 2) Clamping element
- 3) Stop
- 4) Body

Drawings



Overview of items

Order No.	B	B1	H	H1	H2	L	L1	L2	SW	Slot width	F kN	Tightening torque Nm
04571-10-10	18	20	10,5	7,5	5	46	25	15	4	10	4	9

Overview of items

Order No.	B	B1	H	H1	H2	L	L1	L2	SW	Slot width	F kN	Tightening torque Nm
04571-10-12	18	20	10,5	7,5	5	48	25	15	4	12	4	9
04571-10-14	22	20	10,5	7,5	5	52	25	15	4	14	4	9
04571-10-16	25	20	10,5	7,5	5	48	25	15	4	16	4	9
04571-10-18	25	20	10,5	7,5	5	48	25	15	4	18	4	9