



Description

Material:

Steel version
Indexing pin hardened:
grade 5.8

Stainless steel version
Indexing pin not hardened:
Threaded sleeve 1.4305.
Indexing pin 1.4305.

Mushroom knob black-grey thermoplastic.

Version:

Steel version:
Indexing pin hardened, ground, black oxidised.

Stainless steel version:
Indexing pin not hardened, ground, bright.

Note:

These indexing plungers have been specially designed for assembly in thin-walled parts.
Indexing plungers are used where any change in locking position due to lateral forces should be prevented. A new locking position can be set only after the pin has been manually disengaged.
Form C is recommended for applications where the locking pin should remain disengaged for an extended period and be prevented from springing back.

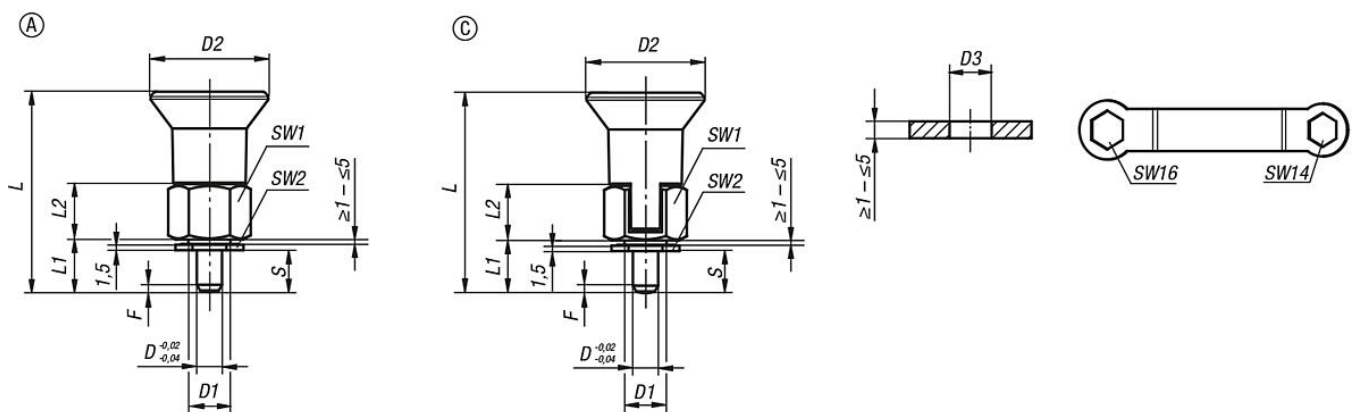
Accessory:

A double-ended ring spanner can be supplied as an accessory to tighten the nut.

Drawing reference:

Form A: non-lockout type
Form C: lockout type

Drawings



03089 Indexing plungers, steel or stainless steel for thin-walled parts, with plastic mushroom grip



Overview of items

Order No.	Form	Main material	Surface finish body	D	D1	D2	D3	L	L1	L2	Travel S	SW1	SW2	Fx30°	Spring force initial pressure F1 approx. N	Spring force final pressure F2 approx. N	Article number double-ended ring spanner
03089-31105	A	steel	hardened	5	M10x1	28	10	46,5	11,5	13	5-9	17	14	1,3	6	15	03089-91416
03089-31206	A	steel	hardened	6	M10x1	28	10	47,5	12,5	13	6-10	17	14	1,8	7	19	03089-91416
03089-311105	A	stainless steel	not hardened	5	M10x1	28	10	46,5	11,5	13	5-9	17	14	1,3	6	15	03089-91416
03089-311206	A	stainless steel	not hardened	6	M10x1	28	10	47,5	12,5	13	6-10	17	14	1,8	7	19	03089-91416
03089-33105	C	steel	hardened	5	M10x1	28	10	46,5	11,5	13	5-9	17	14	1,3	6	15	03089-91416
03089-33206	C	steel	hardened	6	M10x1	28	10	47,5	12,5	13	6-10	17	14	1,8	7	19	03089-91416
03089-313105	C	stainless steel	not hardened	5	M10x1	28	10	46,5	11,5	13	5-9	17	14	1,3	6	15	03089-91416
03089-313206	C	stainless steel	not hardened	6	M10x1	28	10	47,5	12,5	13	6-10	17	14	1,8	7	19	03089-91416
03089-91416	-	-	-	-	-	-	-	-	-	-	-	-	-	-	-	-	-

Order No.	Article description
03089-91416	DOUBLE-ENDED RING SPANNER