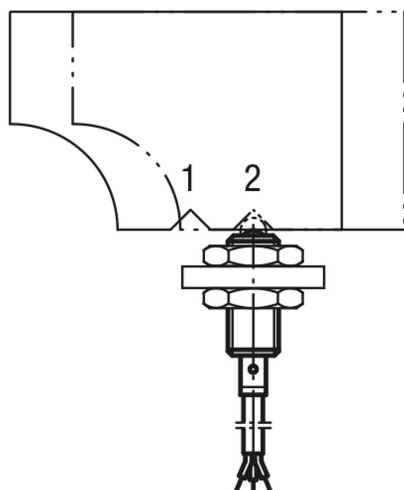
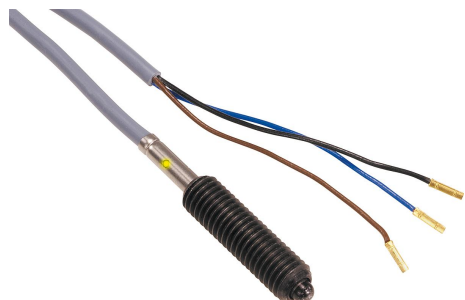


Item description/product images



Description

Material:

Sleeve, thrust pin and spring steel.
Inductive proximity switch.

Version:

Black oxidised.
Thrust pin hardened.

Note:

An electrical control signal can be sent via the built-in end switch.
Voltage: $U = 10 - 30 \text{ V DC}$
Current: $I_{\text{max}} = 200 \text{ mA}$
Temperature range: $-25 \text{ }^\circ\text{C} - +70 \text{ }^\circ\text{C}$
Protection class: IP 67

Safety:

Spring plungers with status sensor are not suitable for personal protection.

Drawing reference:

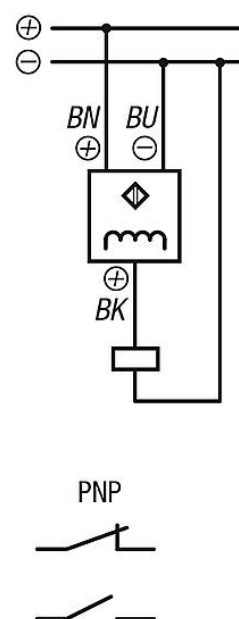
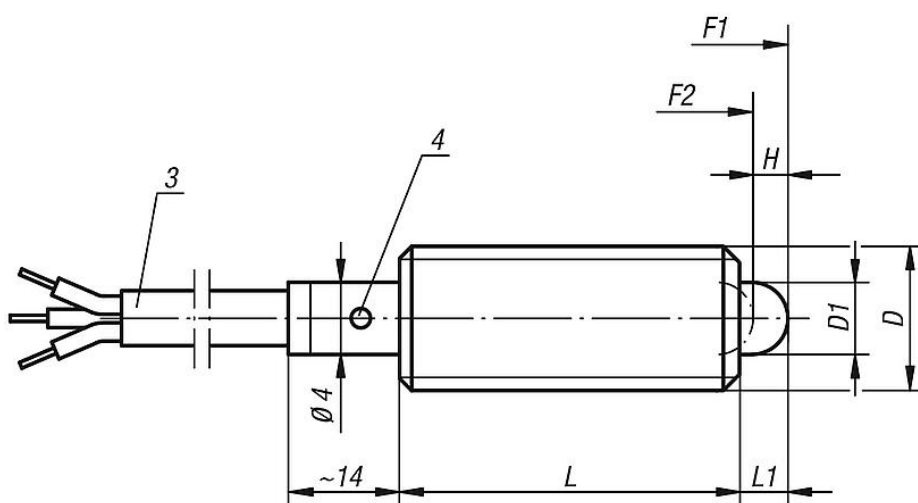
3) cable $\varnothing 3.5 \text{ mm}$; length ca. 2 m
4) LED-indicator

BN = brown
BK = black
BU = blue

Example of position feedback:

Pos. 1: slide engaged
Pos. 2: slide disengaged

Drawings



Overview of items

Order No.	Version 2	D	D1	H	L	L1	Switching contact from stroke H1	Spring force initial pressure F1 approx. N	Spring force final pressure F2 approx. N
03020-5061	normally closed	M6	2,7	2	27	3	1,2 - 1,6	7	20
03020-5081	normally closed	M8	4	2	29	3	1,2 - 1,8	15	30
03020-5101	normally closed	M10	4,5	3	36	4	2,2 - 2,8	26	44
03020-5062	normally open	M6	2,7	2	27	3	1,2 - 1,6	7	20
03020-5082	normally open	M8	4	2	29	3	1,2 - 1,8	15	30
03020-5102	normally open	M10	4,5	3	36	4	2,2 - 2,8	26	44