

Item description/product images



**Description**

**Material:**

Sleeve, spring and ball stainless steel.  
O-ring NBR.

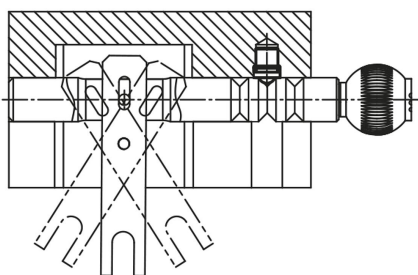
**Version:**

Sleeve bright.  
Ball hardened, bright.  
O-ring black.

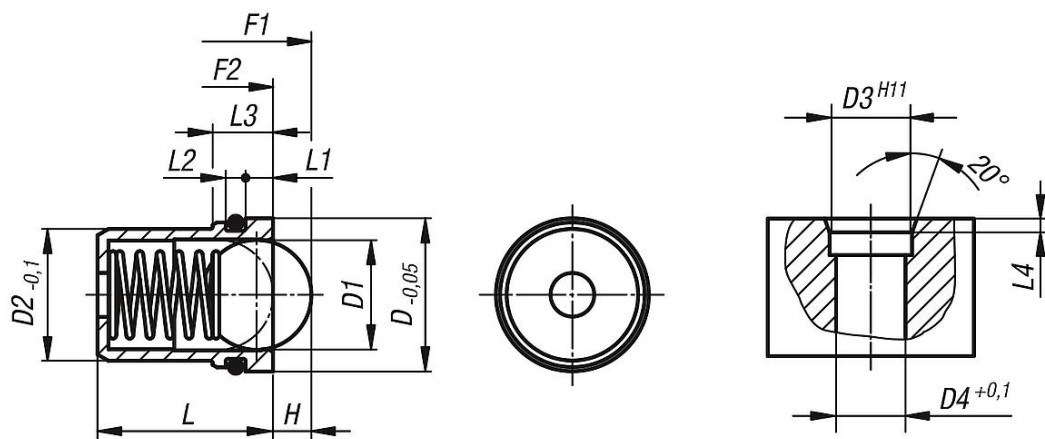
**Note:**

These spring plungers with O-ring are suitable for overhead installation or for installing in difficult to access positions.

They can be pressed into the location hole by hand or using simple assembly tools. The O-ring holds the plunger in place and prevents it falling out. Other components can be easily installed without the need for further assembly aids.



Drawings



Overview of items

Order No.	D	D1	D2	D3	D4	H	L	L1	L2	L3	L4	Spring force initial pressure F1 approx. N	Spring force final pressure F2 approx. N
03065-05	4,95	3	4	5	4,1	0,8	5	1	0,7	2,3	0,7	3	7
03065-06	5,95	4	5	6	5,1	1	6	1	0,7	2,3	0,7	4	7
03065-08	7,95	5	6	8	6,1	1,5	7	1,5	1,2	3,7	1	6	12
03065-10	9,95	6,5	8	10	8,1	1,8	9	2	1,2	4,2	1,5	6	12
03065-12	11,95	8	10	12	10,1	2,7	13,5	2,5	1,8	5,3	2	10	20
03065-14	13,95	10	12	14	12,1	3,5	16	2,5	1,8	5,5	2	15	25

