

Item description/product images



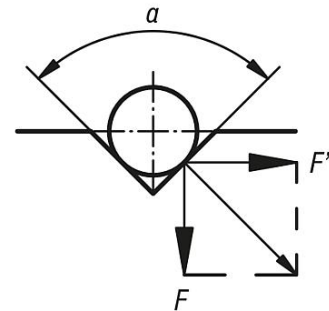
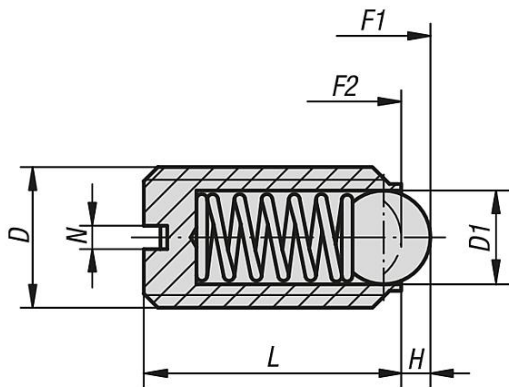
Description

Material:
Sleeve plastic.
Ball POM.
Spring 1.4310 wire.

Version:
Ball, white.

Note:
Spring plungers are used for indexing and positioning.
They can also be used as ejectors.

Drawings



$a = 60^\circ, F' = 1,732 \times F$
 $a = 90^\circ, F' = F$
 $a = 120^\circ, F' = 0,577 \times F$

Overview of items

Order No.	D	D1	H	L	N	Spring force initial pressure F1 approx. N	Spring force final pressure F2 approx. N
03004-06	M6	3,5	1	14	1	9	13
03004-08	M8	5	1,5	16	1,2	15	30
03004-10	M10	6	2	19	1,6	20	40