

Item description/product images



Description

Material:

Sleeve 1.4305.
Ceramic ball Si₃N₄.
Spring 1.4310.

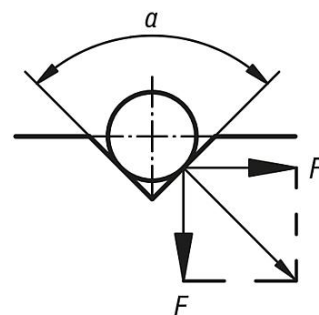
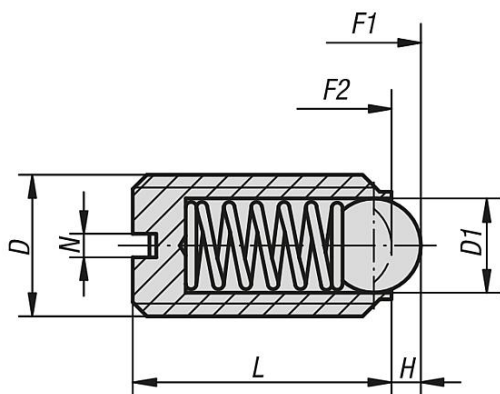
Version:

Bright.

Note:

The combination of excellent material properties is a special feature of silicon nitride (Si₃N₄). These include high resilience and stability, excellent wear properties and good chemical resistance.

Drawings



$\alpha = 60^\circ, F' = 1,732 \times F$
 $\alpha = 90^\circ, F' = F$
 $\alpha = 120^\circ, F' = 0,577 \times F$

Overview of items

Order No.	D	D1	H	L	N	Spring force initial pressure F1 approx. N	Spring force final pressure F2 approx. N
03008-05	M5	3	0,9	12	0,8	6	11
03008-06	M6	3,5	1	14	1	9	13
03008-08	M8	5	1,5	16	1,2	15	30
03008-10	M10	6	2	19	1,6	20	35
03008-12	M12	8	2,5	22	2	30	55
03008-16	M16	10	3,5	24	2,5	65	125