

Item description/product images



Description

Material:

Cable stainless steel.
Crimp and end terminal aluminium.

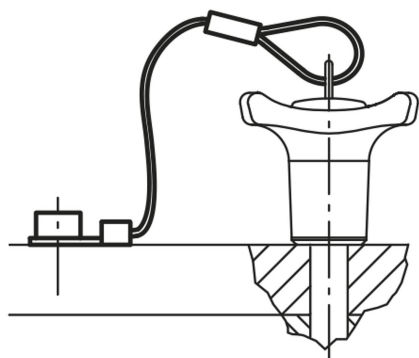
Version:

Cable plastic coated.

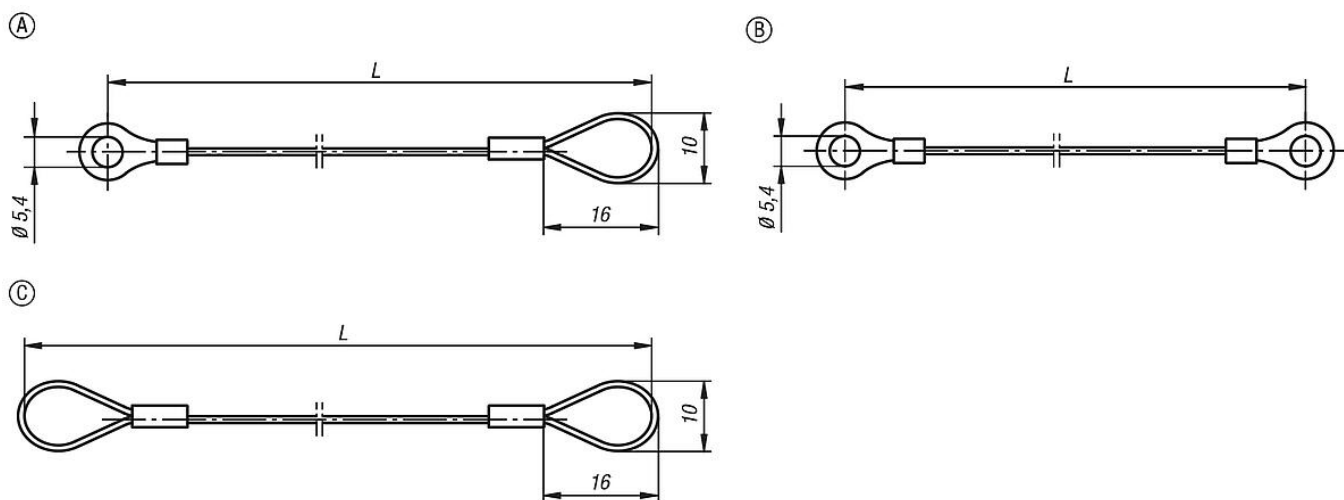
Note:

With the retaining cable and pin ring (03199) the ball lock pins (03193, 03194 and 03196) can be secured so that they cannot be lost. An M5 screw is used to secure the retaining cable.

Application temperature: +80 °C.



Drawings



Overview of items

Order No.	Form	L
03199-0150	A	150
03199-0200	A	200
03199-0300	A	300
03199-0500	A	500
03199-1150	B	150
03199-1200	B	200
03199-1300	B	300
03199-1500	B	500

Overview of items

Order No.	Form	L
03199-2150	C	150
03199-2200	C	200
03199-2300	C	300
03199-2500	C	500