



## Description

### Material:

Steel version

Indexing pin hardened:  
grade 5.8

Stainless steel version

Indexing pin not hardened:

Threaded sleeve 1.4305.

Indexing pin 1.4305.

Mushroom grip thermoplastic, black-grey or traffic red RAL 3020.

### Version:

Steel version:

Indexing pin hardened, ground, black oxidised.

Stainless steel version:

Indexing pin not hardened, ground, bright.

### Note:

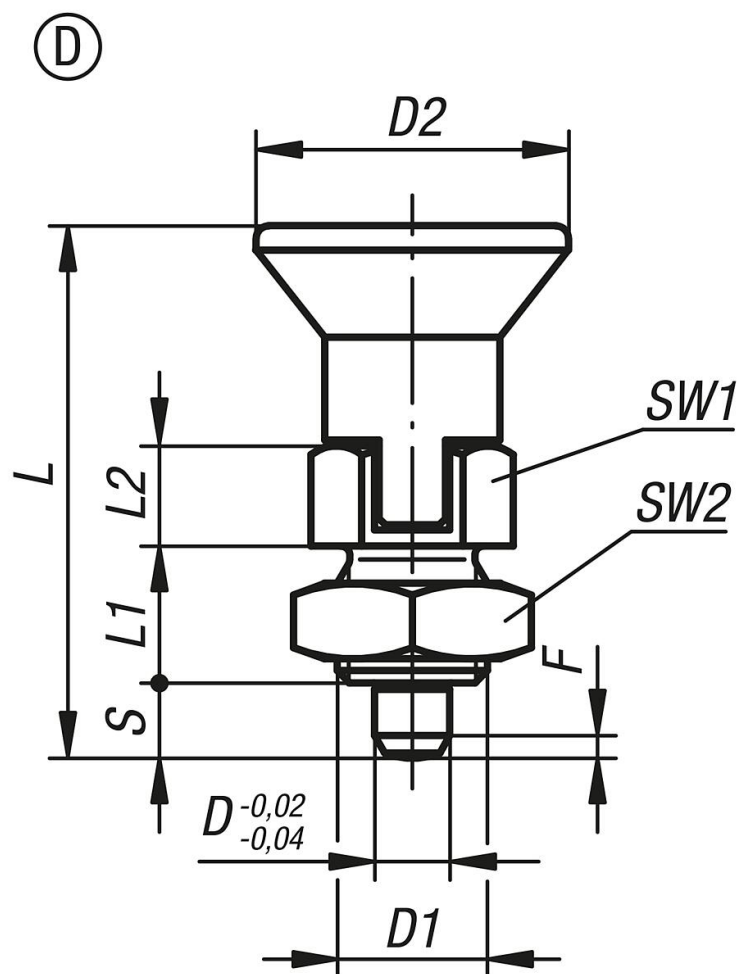
Indexing plungers are used to prevent any change in position due to lateral forces.

A new locking position can only be set after the pin has been manually disengaged.

Form C or D is recommended for applications in which the pin is disengaged over extended periods and should be prevented from springing back.

### On request:

Special versions.



Overview of items

Order No.	Form	Main material	Surface finish body	Component colour	D	D1	D2	L	L1	L2	Travel S	SW1	SW2	Fx30°	Spring force initial pressure F1 approx. N	Spring force final pressure F2 approx. N
03089-8903	D	steel	hardened	black grey RAL 7021	3	M6x0,75	14	25,5	6	5	3,5	8	10	0,8	4	10
03089-8004	D	steel	hardened	black grey RAL 7021	4	M8x1	18	29,5	6	6	4	10	13	1	4	12
03089-8105	D	steel	hardened	black grey RAL 7021	5	M10x1	21	34,5	8	7	5	13	17	1,3	5	12
03089-8206	D	steel	hardened	black grey RAL 7021	6	M12x1,5	25	41,7	10	8	6	14	19	1,8	6	14
03089-8308	D	steel	hardened	black grey RAL 7021	8	M16x1,5	33	54	12	10	8	19	24	2,3	14	28
03089-8410	D	steel	hardened	black grey RAL 7021	10	M20x1,5	33	61	15	12	10	22	30	2,8	15	32
03089-890384	D	steel	hardened	traffic red RAL 3020	3	M6x0,75	14	25,5	6	5	3,5	8	10	0,8	4	10
03089-800484	D	steel	hardened	traffic red RAL 3020	4	M8x1	18	29,5	6	6	4	10	13	1	4	12
03089-810584	D	steel	hardened	traffic red RAL 3020	5	M10x1	21	34,5	8	7	5	13	17	1,3	5	12
03089-820684	D	steel	hardened	traffic red RAL 3020	6	M12x1,5	25	41,7	10	8	6	14	19	1,8	6	14
03089-830884	D	steel	hardened	traffic red RAL 3020	8	M16x1,5	33	54	12	10	8	19	24	2,3	14	28
03089-841084	D	steel	hardened	traffic red RAL 3020	10	M20x1,5	33	61	15	12	10	22	30	2,8	15	32
03089-18903	D	stainless steel	not hardened	black grey RAL 7021	3	M6x0,75	14	25,5	6	5	3,5	8	10	0,8	4	10
03089-18004	D	stainless steel	not hardened	black grey RAL 7021	4	M8x1	18	29,5	6	6	4	10	13	1	4	12
03089-18105	D	stainless steel	not hardened	black grey RAL 7021	5	M10x1	21	34,5	8	7	5	13	17	1,3	5	12
03089-18206	D	stainless steel	not hardened	black grey RAL 7021	6	M12x1,5	25	41,7	10	8	6	14	19	1,8	6	14
03089-18308	D	stainless steel	not hardened	black grey RAL 7021	8	M16x1,5	33	54	12	10	8	19	24	2,3	14	28
03089-18410	D	stainless steel	not hardened	black grey RAL 7021	10	M20x1,5	33	61	15	12	10	22	30	2,8	15	32
03089-1890384	D	stainless steel	not hardened	traffic red RAL 3020	3	M6x0,75	14	25,5	6	5	3,5	8	10	0,8	4	10
03089-1800484	D	stainless steel	not hardened	traffic red RAL 3020	4	M8x1	18	29,5	6	6	4	10	13	1	4	12
03089-1810584	D	stainless steel	not hardened	traffic red RAL 3020	5	M10x1	21	34,5	8	7	5	13	17	1,3	5	12
03089-1820684	D	stainless steel	not hardened	traffic red RAL 3020	6	M12x1,5	25	41,7	10	8	6	14	19	1,8	6	14
03089-1830884	D	stainless steel	not hardened	traffic red RAL 3020	8	M16x1,5	33	54	12	10	8	19	24	2,3	14	28
03089-1841084	D	stainless steel	not hardened	traffic red RAL 3020	10	M20x1,5	33	61	15	12	10	22	30	2,8	15	32

