



**Description**

**Material:**

Steel version  
Indexing pin hardened:  
grade 5.8

Stainless steel version  
Indexing pin not hardened:  
Threaded sleeve 1.4305.  
Indexing pin 1.4305.

Mushroom knob black-grey thermoplastic.

**Version:**

Steel version:  
Indexing pin hardened, ground, black oxidised.

Stainless steel version:  
Indexing pin not hardened, ground, bright.

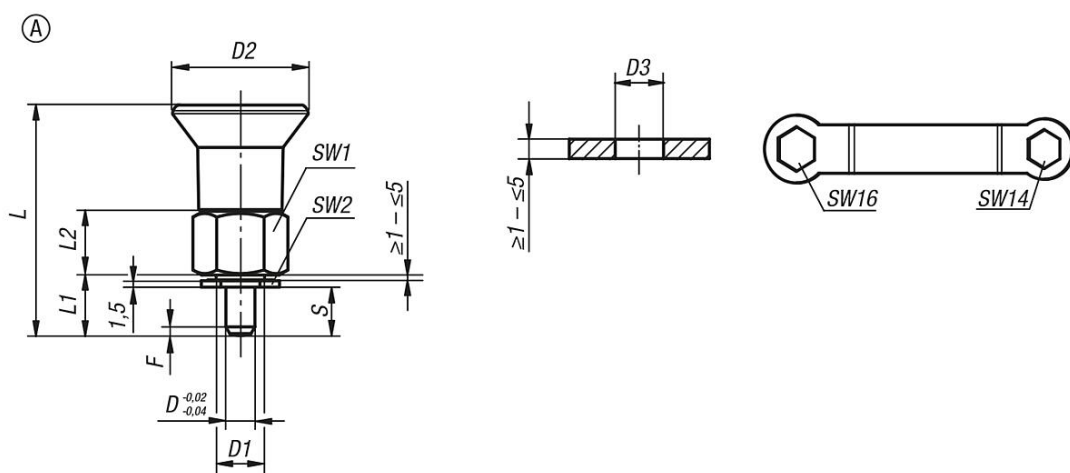
**Note:**

These indexing plungers have been specially designed for assembly in thin-walled parts. Indexing plungers are used where any change in locking position due to lateral forces should be prevented. A new locking position can be set only after the pin has been manually disengaged. Form C is recommended for applications where the locking pin should remain disengaged for an extended period and be prevented from springing back.

**Accessory:**

A double-ended ring spanner can be supplied as an accessory to tighten the nut.

**Drawings**



**Overview of items**

Order No.	Form	Main material	Surface finish body	D	D1	D2	D3	L	L1	L2	Travel S	SW1	SW2	Fx30°	Spring force initial pressure F1 approx. N	Spring force final pressure F2 approx. N	Article number double-ended ring spanner
03089-31105	A	steel	hardened	5	M10x1	28	10	46,5	11,5	13	5-9	17	14	1,3	6	15	03089-91416

# 03089\_A Indexing plungers, steel or stainless steel for thin-walled parts, with plastic mushroom grip



## Overview of items

Order No.	Form	Main material	Surface finish body	D	D1	D2	D3	L	L1	L2	Travel S	SW1	SW2	Fx30°	Spring force initial pressure F1 approx. N	Spring force final pressure F2 approx. N	Article number double-ended ring spanner
03089-31206	A	steel	hardened	6	M10x1	28	10	47,5	12,5	13	6-10	17	14	1,8	7	19	03089-91416
03089-311105	A	stainless steel	not hardened	5	M10x1	28	10	46,5	11,5	13	5-9	17	14	1,3	6	15	03089-91416
03089-311206	A	stainless steel	not hardened	6	M10x1	28	10	47,5	12,5	13	6-10	17	14	1,8	7	19	03089-91416