

## Item description/product images



## Description

**Material:**

Steel.

**Version:**

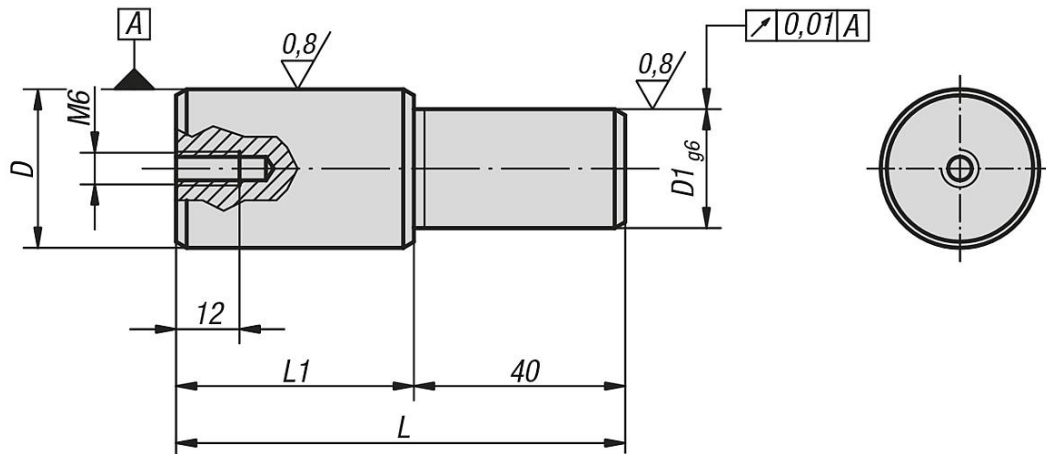
Case-hardened.

Toleranced diameter ground.

**Note:**

These centring pins are suitable for our subplates 01148.

## Drawings



## Overview of items

Order No.	D	D1	L	L1
03114-2520	25 g6	20	75	35
03114-3020	30h6	20	85	45
03114-3025	30h6	25	85	45

