

Item description/product images



Description

Material:

Tool steel.

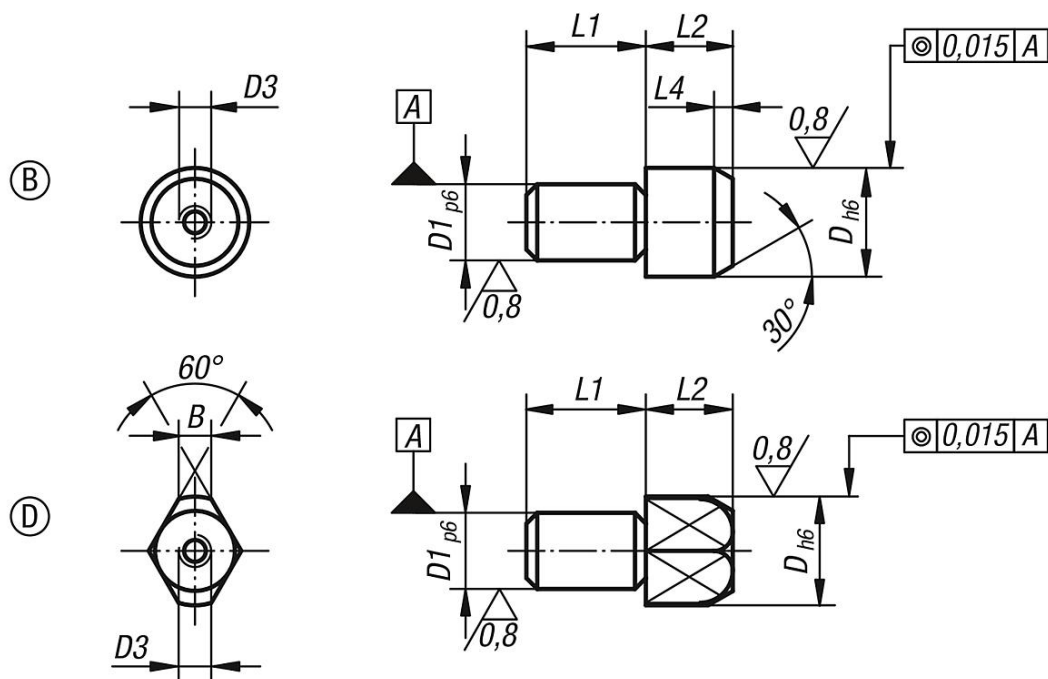
Version:

Hardened and ground (HRC 55-60).

Note:

Locating pins can be easily removed with an extractor.

Drawings



Overview of items

Order No.	Form	D	D1	D3	L1	L2	L4	B
03106-10	B	10	7	M3	11	11	3	-
03106-12	B	12	8	M5	13	12	4	-
03106-16	B	16	12	M5	18	14	4,5	-
03106-20	B	20	14	M5	22	15	5	-
03106-22	B	22	16	M5	22	17	5	-
03106-25	B	25	18	M5	25	17	5	-
03106-102	D	10	7	M3	11	11	3	3
03106-122	D	12	8	M5	13	12	4	3,5
03106-162	D	16	12	M5	18	14	4,5	5
03106-202	D	20	14	M5	22	15	5	6
03106-222	D	22	16	M5	22	17	5	7
03106-252	D	25	18	M5	25	17	5	8

