

Item description/product images



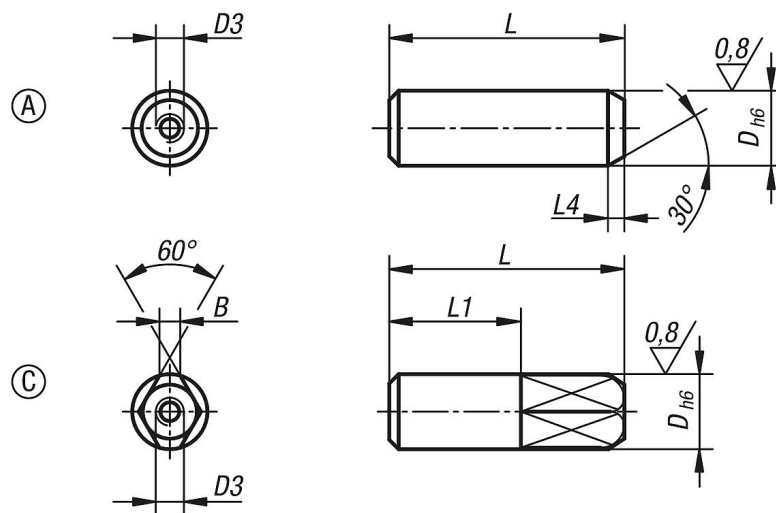
Description

Material:
Tool steel.

Version:
Hardened and ground (HRC 56 +2).

Note:
The locating pins can be easily removed with an extractor.

Drawings



Overview of items

Order No.	Form	D	D3	L	L1	L4	B
03105-08	A	8	M3	25	-	3	-
03105-10	A	10	M3	30	-	3	-
03105-12	A	12	M5	34	-	4	-
03105-16	A	16	M5	42	-	4	-
03105-20	A	20	M5	47	-	5	-
03105-25	A	25	M5	49	-	5	-
03105-082	C	8	M3	25	14	-	2,2
03105-102	C	10	M3	30	17	-	3
03105-122	C	12	M5	34	20	-	3,5
03105-162	C	16	M5	42	26	-	5
03105-202	C	20	M5	47	30	-	6
03105-252	C	25	M5	49	30	-	8

