

Item description/product images



Description

Material:

Legs and grip aluminium EN AW-6060.
Connecting pins stainless steel.

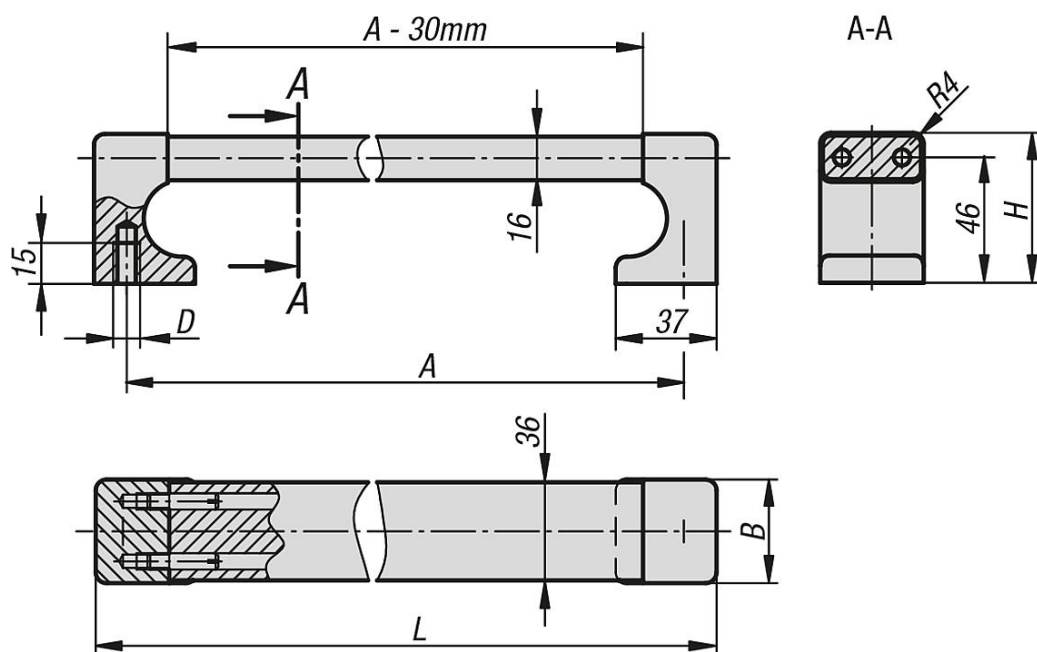
Version:

Legs and grip finely ground, anodised black or natural tone.

Note:

The solid construction permits this handle series to also be used as edge protectors.

Drawings



Overview of items

Order No.	Main colour	A	B	D	H	L	Load capacity N
06944-250081	black anodised	250	38	M8	55	274	1000
06944-300081	black anodised	300	38	M8	55	324	1000
06944-400081	black anodised	400	38	M8	55	424	1000
06944-500081	black anodised	500	38	M8	55	524	1000
06944-600081	black anodised	600	38	M8	55	624	1000
06944-250083	natural anodised	250	38	M8	55	274	1000
06944-300083	natural anodised	300	38	M8	55	324	1000
06944-400083	natural anodised	400	38	M8	55	424	1000
06944-500083	natural anodised	500	38	M8	55	524	1000
06944-600083	natural anodised	600	38	M8	55	624	1000

