

Item description/product images



lift to
disengage



Description

Material:

Handle die-cast zinc DIN EN 12844.
Steel parts stainless steel 1.4305.

Version:

Handle plastic-coated.
Steel parts bright.

Note:

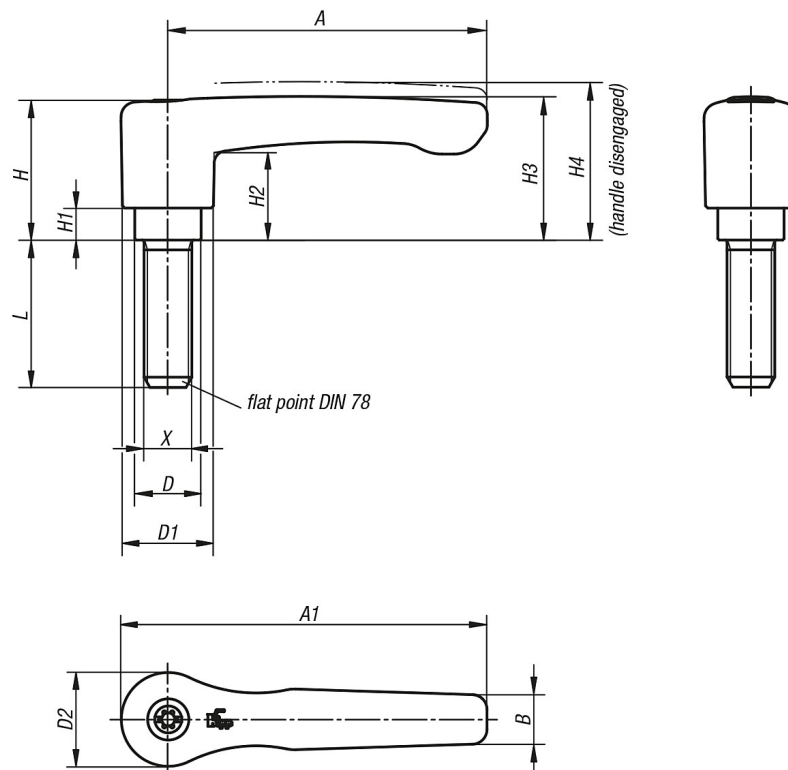
Standard colours are:
black satin finish, orange RAL 2004.

On request:

Other external threads, screw lengths, colours
and special versions.

Dimension "H1" available in other lengths at
extra charge.

Drawings



Overview of items

Order No. black satin finish	Order No. orange	Size	X	D	D1	D2	H	H1	H2	H3	H4	A	A1	B	No. of teeth	L
06459-2061X	06459-2062X	2	M6	13,5	18,5	19,1	28,5	6,5	17,8	29,2	32,2	65	74,5	10,1	20	15/20/25/30/40/50/60
06459-2081X	06459-2082X	2	M8	13,5	18,5	19,1	28,5	6,5	17,8	29,2	32,2	65	74,5	10,1	20	15/20/25/30/40/50/60
06459-2101X	06459-2102X	2	M10	13,5	18,5	19,1	28,5	6,5	17,8	29,2	32,2	65	74,5	10,1	20	20/25/30/40/50/60
06459-3081X	06459-3082X	3	M8	16	21,2	22	37	10	23,8	38	42	80	91	11,7	22	20/25/30/40/50/60
06459-3101X	06459-3102X	3	M10	16	21,2	22	37	10	23,8	38	42	80	91	11,7	22	20/25/30/40/50/60