

## Item description/product images



## Description

**Material:**

Hard components glass-bead reinforced thermoplastic.  
Soft components SEBS

**Version:**

Hard component matt black, soft component basalt grey.

**Note:**

Heavy-duty polyamide handle. Excellent carrying and gripping comfort thanks to its soft inner surface.

Black electro zinc-plated cap screws, nuts and washers are supplied.

For wet areas, the fastening material is supplied in stainless steel (1.4301).

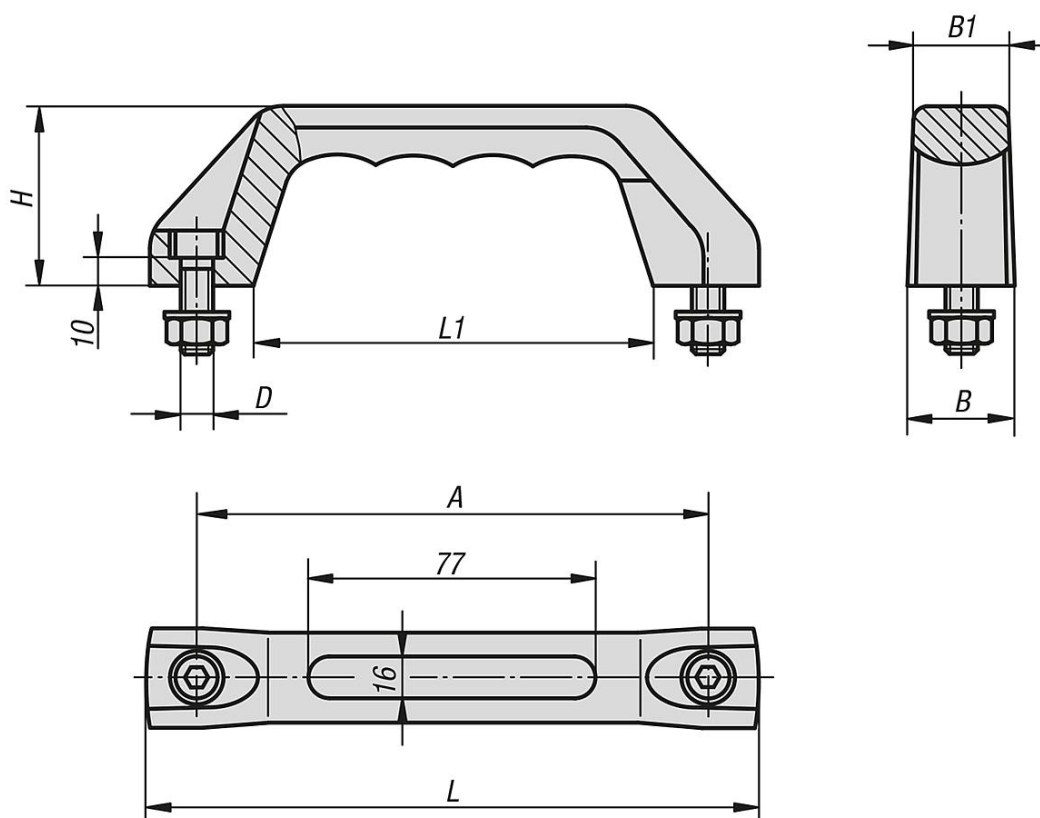
**Assembly:**

From the front.

**On request:**

With individual caption, embossed or raised on the soft material. Hard and soft components are available in all RAL colours.

## Drawings



## Overview of items

Order No.	Version 2	A	B	B1	D	L	L1	H	Load capacity N
06913-515008	standard	150	29	25,5	M8x25	178	118	53	500
06913-615008	wet area	150	29	25,5	M8x25	178	118	53	500