

Item description/product images



Description

Material:

Die-cast aluminium EN AW-5754.

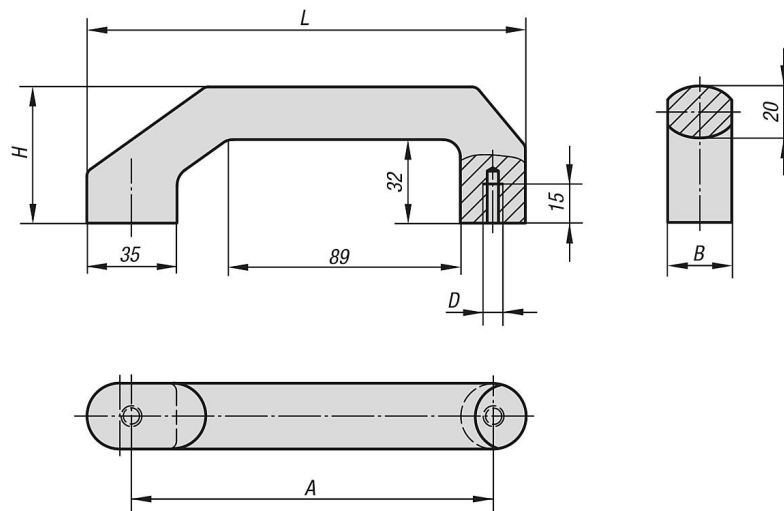
Version:

Surface tumbled and black powder-coated or left bright.

Assembly:

From the rear.

Drawings



Overview of items

Order No.	Main colour	A	B	D	H	L	Load capacity N
06900-140066	black	140	25	M6	57	170	1000
06900-140067	bright	140	25	M6	57	170	1000