

Item description/product images



lift to disengage



Description

Material:

Handle steel 1.0401.
All other steel parts grade 5.8.

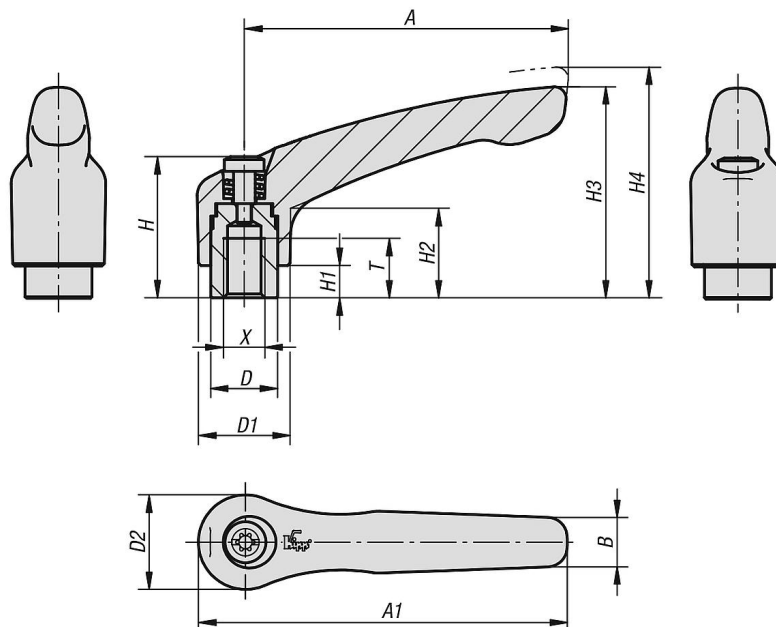
Version:

Handle powder-coated, fine-textured structure.
Steel parts black oxidised.

Note:

Standard colours are:
ruby red RAL 3003.

Drawings



Overview of items

Order No.	Main colour	Size	X	T	D	D1	D2	H	H1	H2	H3	H4	A	A1	B	No. of teeth
06442-10427	ruby red RAL3003	1	M4	9	10	13	14	24,5	4	14,5	31	34	40	47	7	16

Overview of items

Order No.	Main colour	Size	X	T	D	D1	D2	H	H1	H2	H3	H4	A	A1	B	No. of teeth
06442-10527	ruby red RAL3003	1	M5	9	10	13	14	24,5	4	14,5	31	34	40	47	7	16
06442-10627	ruby red RAL3003	1	M6	9	10	13	14	24,5	4	14,5	31	34	40	47	7	16
06442-20627	ruby red RAL3003	2	M6	12	13,5	18,5	19	28,5	6,5	17,5	42,5	45,5	65	74,5	10	20
06442-20827	ruby red RAL3003	2	M8	12	13,5	18,5	19	28,5	6,5	17,5	42,5	45,5	65	74,5	10	20
06442-30827	ruby red RAL3003	3	M8	14	16	21	22	37	10	24	54,5	58,5	80	91	11	22
06442-31027	ruby red RAL3003	3	M10	14	16	21	22	37	10	24	54,5	58,5	80	91	11	22
06442-41027	ruby red RAL3003	4	M10	17	19	27	27,5	43	10	27	63	67,5	95	109	13	24
06442-41227	ruby red RAL3003	4	M12	17	19	27	27,5	43	10	27	63	67,5	95	109	13	24
06442-51227	ruby red RAL3003	5	M12	23	23	31	32	49	12	31,5	73	77,5	110	126	15	26
06442-51627	ruby red RAL3003	5	M16	23	23	31	32	49	12	31,5	73	77,5	110	126	15	26