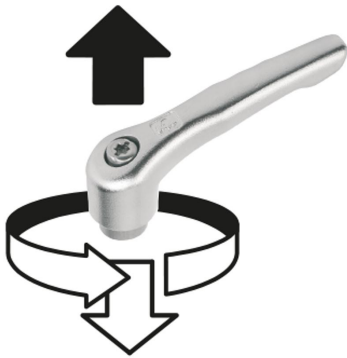




lift to
disengage



Description

Material:

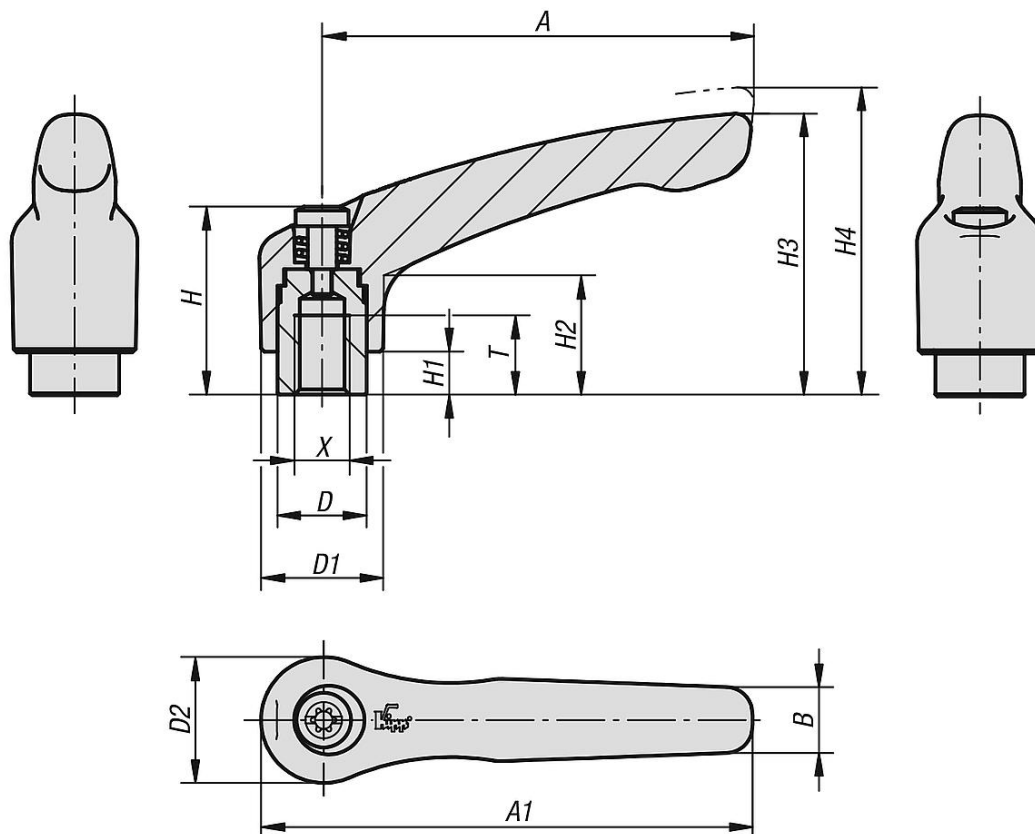
Handle investment cast 1.4308.
Other steel parts 1.4305.

Version:

Handle electropolished or blasted.
Metal parts bright.

On request:

Other threads and special versions.
Dimension "H1" available in other lengths at extra charge.



Overview of items

Order No.	Main colour	Size	X	A	A1	B	D	D1	D2	H	H1	H2	H3	H4	T	No. of teeth
06454-104	electropolished	1	M4	40	47	7	10	13	14	24,5	4	14,5	31	34	9	16
06454-105	electropolished	1	M5	40	47	7	10	13	14	24,5	4	14,5	31	34	9	16
06454-106	electropolished	1	M6	40	47	7	10	13	14	24,5	4	14,5	31	34	9	16
06454-206	electropolished	2	M6	65	74,5	10	13,5	18,5	19	28,5	6,5	17,5	42,5	45,5	12	20
06454-208	electropolished	2	M8	65	74,5	10	13,5	18,5	19	28,5	6,5	17,5	42,5	45,5	12	20
06454-308	electropolished	3	M8	80	91	11	16	21	22	37	10	24	54,5	58,5	14	22
06454-310	electropolished	3	M10	80	91	11	16	21	22	37	10	24	54,5	58,5	14	22
06454-410	electropolished	4	M10	95	109	13	19	27	27,5	43	10	27	63	67,5	17	24
06454-412	electropolished	4	M12	95	109	13	19	27	27,5	43	10	27	63	67,5	17	24
06454-512	electropolished	5	M12	110	126	15	23	31	32	49	12	31,5	73	77,5	23	26
06454-516	electropolished	5	M16	110	126	15	23	31	32	49	12	31,5	73	77,5	23	26
06454-104153	blasted	1	M4	40	47	7	10	13	14	24,5	4	14,5	31	34	9	16
06454-105153	blasted	1	M5	40	47	7	10	13	14	24,5	4	14,5	31	34	9	16
06454-106153	blasted	1	M6	40	47	7	10	13	14	24,5	4	14,5	31	34	9	16
06454-206153	blasted	2	M6	65	74,5	10	13,5	18,5	19	28,5	6,5	17,5	42,5	45,5	12	20
06454-208153	blasted	2	M8	65	74,5	10	13,5	18,5	19	28,5	6,5	17,5	42,5	45,5	12	20
06454-308153	blasted	3	M8	80	91	11	16	21	22	37	10	24	54,5	58,5	14	22
06454-310153	blasted	3	M10	80	91	11	16	21	22	37	10	24	54,5	58,5	14	22
06454-410153	blasted	4	M10	95	109	13	19	27	27,5	43	10	27	63	67,5	17	24
06454-412153	blasted	4	M12	95	109	13	19	27	27,5	43	10	27	63	67,5	17	24
06454-512153	blasted	5	M12	110	126	15	23	31	32	49	12	31,5	73	77,5	23	26
06454-516153	blasted	5	M16	110	126	15	23	31	32	49	12	31,5	73	77,5	23	26

