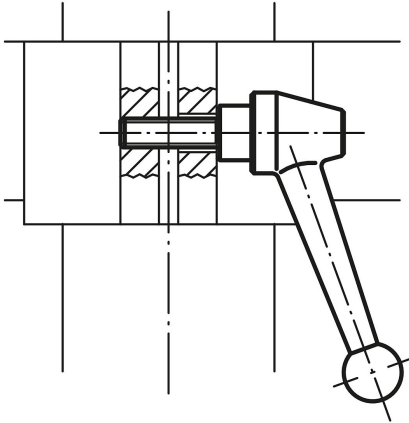
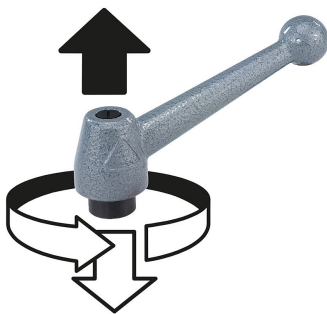




lift to  
disengage



## Description

### Material:

Handle steel 1.0401.

All other steel parts grade 5.8.

### Version:

Handle painted silver-grey hammer-tone.

Steel parts black oxidised.

### Note:

Where  $L \geq 60$  mm the thread length is always 60 mm.

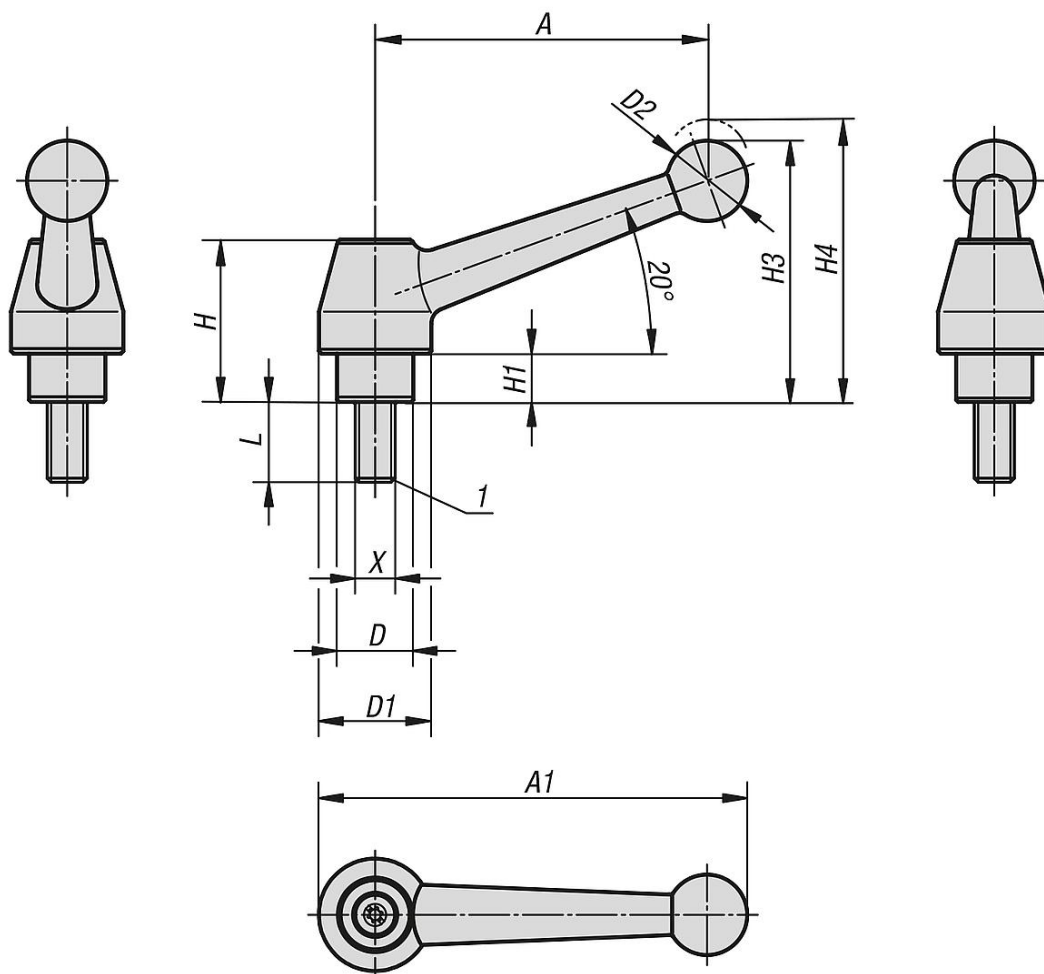
### On request:

Other threads, screw lengths and special versions.

Dimension "H1" available in other lengths at extra charge.

### Drawing reference:

1) flat point DIN EN ISO 4753



Overview of items

| Order No.    | Main material | Size | X   | D  | D1 | D2 | H    | H1 | H3 | H4   | A  | A1  | No. of teeth | L  |
|--------------|---------------|------|-----|----|----|----|------|----|----|------|----|-----|--------------|----|
| 06441-110X20 | steel         | 1    | M10 | 19 | 28 | 20 | 40,5 | 12 | 65 | 68,5 | 83 | 107 | 24           | 20 |
| 06441-110X25 | steel         | 1    | M10 | 19 | 28 | 20 | 40,5 | 12 | 65 | 68,5 | 83 | 107 | 24           | 25 |
| 06441-110X30 | steel         | 1    | M10 | 19 | 28 | 20 | 40,5 | 12 | 65 | 68,5 | 83 | 107 | 24           | 30 |
| 06441-110X35 | steel         | 1    | M10 | 19 | 28 | 20 | 40,5 | 12 | 65 | 68,5 | 83 | 107 | 24           | 35 |
| 06441-110X40 | steel         | 1    | M10 | 19 | 28 | 20 | 40,5 | 12 | 65 | 68,5 | 83 | 107 | 24           | 40 |
| 06441-110X45 | steel         | 1    | M10 | 19 | 28 | 20 | 40,5 | 12 | 65 | 68,5 | 83 | 107 | 24           | 45 |
| 06441-110X50 | steel         | 1    | M10 | 19 | 28 | 20 | 40,5 | 12 | 65 | 68,5 | 83 | 107 | 24           | 50 |
| 06441-110X55 | steel         | 1    | M10 | 19 | 28 | 20 | 40,5 | 12 | 65 | 68,5 | 83 | 107 | 24           | 55 |
| 06441-110X60 | steel         | 1    | M10 | 19 | 28 | 20 | 40,5 | 12 | 65 | 68,5 | 83 | 107 | 24           | 60 |
| 06441-110X70 | steel         | 1    | M10 | 19 | 28 | 20 | 40,5 | 12 | 65 | 68,5 | 83 | 107 | 24           | 70 |
| 06441-110X80 | steel         | 1    | M10 | 19 | 28 | 20 | 40,5 | 12 | 65 | 68,5 | 83 | 107 | 24           | 80 |
| 06441-110X90 | steel         | 1    | M10 | 19 | 28 | 20 | 40,5 | 12 | 65 | 68,5 | 83 | 107 | 24           | 90 |
| 06441-112X20 | steel         | 1    | M12 | 19 | 28 | 20 | 40,5 | 12 | 65 | 68,5 | 83 | 107 | 24           | 20 |
| 06441-112X25 | steel         | 1    | M12 | 19 | 28 | 20 | 40,5 | 12 | 65 | 68,5 | 83 | 107 | 24           | 25 |
| 06441-112X30 | steel         | 1    | M12 | 19 | 28 | 20 | 40,5 | 12 | 65 | 68,5 | 83 | 107 | 24           | 30 |
| 06441-112X35 | steel         | 1    | M12 | 19 | 28 | 20 | 40,5 | 12 | 65 | 68,5 | 83 | 107 | 24           | 35 |
| 06441-112X40 | steel         | 1    | M12 | 19 | 28 | 20 | 40,5 | 12 | 65 | 68,5 | 83 | 107 | 24           | 40 |
| 06441-112X45 | steel         | 1    | M12 | 19 | 28 | 20 | 40,5 | 12 | 65 | 68,5 | 83 | 107 | 24           | 45 |
| 06441-112X50 | steel         | 1    | M12 | 19 | 28 | 20 | 40,5 | 12 | 65 | 68,5 | 83 | 107 | 24           | 50 |
| 06441-112X55 | steel         | 1    | M12 | 19 | 28 | 20 | 40,5 | 12 | 65 | 68,5 | 83 | 107 | 24           | 55 |
| 06441-112X60 | steel         | 1    | M12 | 19 | 28 | 20 | 40,5 | 12 | 65 | 68,5 | 83 | 107 | 24           | 60 |
| 06441-112X70 | steel         | 1    | M12 | 19 | 28 | 20 | 40,5 | 12 | 65 | 68,5 | 83 | 107 | 24           | 70 |
| 06441-112X80 | steel         | 1    | M12 | 19 | 28 | 20 | 40,5 | 12 | 65 | 68,5 | 83 | 107 | 24           | 80 |
| 06441-112X90 | steel         | 1    | M12 | 19 | 28 | 20 | 40,5 | 12 | 65 | 68,5 | 83 | 107 | 24           | 90 |

## Overview of items

| Order No.    | Main material | Size | X   | D  | D1 | D2 | H    | H1 | H3   | H4   | A   | A1    | No. of teeth | L  |
|--------------|---------------|------|-----|----|----|----|------|----|------|------|-----|-------|--------------|----|
| 06441-212X25 | steel         | 2    | M12 | 23 | 35 | 25 | 51,5 | 12 | 79,5 | 84   | 108 | 138,5 | 26           | 25 |
| 06441-212X30 | steel         | 2    | M12 | 23 | 35 | 25 | 51,5 | 12 | 79,5 | 84   | 108 | 138,5 | 26           | 30 |
| 06441-212X35 | steel         | 2    | M12 | 23 | 35 | 25 | 51,5 | 12 | 79,5 | 84   | 108 | 138,5 | 26           | 35 |
| 06441-212X40 | steel         | 2    | M12 | 23 | 35 | 25 | 51,5 | 12 | 79,5 | 84   | 108 | 138,5 | 26           | 40 |
| 06441-212X45 | steel         | 2    | M12 | 23 | 35 | 25 | 51,5 | 12 | 79,5 | 84   | 108 | 138,5 | 26           | 45 |
| 06441-212X50 | steel         | 2    | M12 | 23 | 35 | 25 | 51,5 | 12 | 79,5 | 84   | 108 | 138,5 | 26           | 50 |
| 06441-212X55 | steel         | 2    | M12 | 23 | 35 | 25 | 51,5 | 12 | 79,5 | 84   | 108 | 138,5 | 26           | 55 |
| 06441-212X60 | steel         | 2    | M12 | 23 | 35 | 25 | 51,5 | 12 | 79,5 | 84   | 108 | 138,5 | 26           | 60 |
| 06441-212X70 | steel         | 2    | M12 | 23 | 35 | 25 | 51,5 | 12 | 79,5 | 84   | 108 | 138,5 | 26           | 70 |
| 06441-212X80 | steel         | 2    | M12 | 23 | 35 | 25 | 51,5 | 12 | 79,5 | 84   | 108 | 138,5 | 26           | 80 |
| 06441-212X90 | steel         | 2    | M12 | 23 | 35 | 25 | 51,5 | 12 | 79,5 | 84   | 108 | 138,5 | 26           | 90 |
| 06441-216X25 | steel         | 2    | M16 | 23 | 35 | 25 | 51,5 | 12 | 79,5 | 84   | 108 | 138,5 | 26           | 25 |
| 06441-216X30 | steel         | 2    | M16 | 23 | 35 | 25 | 51,5 | 12 | 79,5 | 84   | 108 | 138,5 | 26           | 30 |
| 06441-216X35 | steel         | 2    | M16 | 23 | 35 | 25 | 51,5 | 12 | 79,5 | 84   | 108 | 138,5 | 26           | 35 |
| 06441-216X40 | steel         | 2    | M16 | 23 | 35 | 25 | 51,5 | 12 | 79,5 | 84   | 108 | 138,5 | 26           | 40 |
| 06441-216X45 | steel         | 2    | M16 | 23 | 35 | 25 | 51,5 | 12 | 79,5 | 84   | 108 | 138,5 | 26           | 45 |
| 06441-216X50 | steel         | 2    | M16 | 23 | 35 | 25 | 51,5 | 12 | 79,5 | 84   | 108 | 138,5 | 26           | 50 |
| 06441-216X55 | steel         | 2    | M16 | 23 | 35 | 25 | 51,5 | 12 | 79,5 | 84   | 108 | 138,5 | 26           | 55 |
| 06441-216X60 | steel         | 2    | M16 | 23 | 35 | 25 | 51,5 | 12 | 79,5 | 84   | 108 | 138,5 | 26           | 60 |
| 06441-216X70 | steel         | 2    | M16 | 23 | 35 | 25 | 51,5 | 12 | 79,5 | 84   | 108 | 138,5 | 26           | 70 |
| 06441-216X80 | steel         | 2    | M16 | 23 | 35 | 25 | 51,5 | 12 | 79,5 | 84   | 108 | 138,5 | 26           | 80 |
| 06441-216X90 | steel         | 2    | M16 | 23 | 35 | 25 | 51,5 | 12 | 79,5 | 84   | 108 | 138,5 | 26           | 90 |
| 06441-316X30 | steel         | 3    | M16 | 30 | 43 | 30 | 60   | 12 | 93   | 97,5 | 132 | 168   | 36           | 30 |
| 06441-316X40 | steel         | 3    | M16 | 30 | 43 | 30 | 60   | 12 | 93   | 97,5 | 132 | 168   | 36           | 40 |
| 06441-316X50 | steel         | 3    | M16 | 30 | 43 | 30 | 60   | 12 | 93   | 97,5 | 132 | 168   | 36           | 50 |
| 06441-316X60 | steel         | 3    | M16 | 30 | 43 | 30 | 60   | 12 | 93   | 97,5 | 132 | 168   | 36           | 60 |
| 06441-316X70 | steel         | 3    | M16 | 30 | 43 | 30 | 60   | 12 | 93   | 97,5 | 132 | 168   | 36           | 70 |
| 06441-316X80 | steel         | 3    | M16 | 30 | 43 | 30 | 60   | 12 | 93   | 97,5 | 132 | 168   | 36           | 80 |
| 06441-316X90 | steel         | 3    | M16 | 30 | 43 | 30 | 60   | 12 | 93   | 97,5 | 132 | 168   | 36           | 90 |
| 06441-320X30 | steel         | 3    | M20 | 30 | 43 | 30 | 60   | 12 | 93   | 97,5 | 132 | 168   | 36           | 30 |
| 06441-320X40 | steel         | 3    | M20 | 30 | 43 | 30 | 60   | 12 | 93   | 97,5 | 132 | 168   | 36           | 40 |
| 06441-320X50 | steel         | 3    | M20 | 30 | 43 | 30 | 60   | 12 | 93   | 97,5 | 132 | 168   | 36           | 50 |
| 06441-320X60 | steel         | 3    | M20 | 30 | 43 | 30 | 60   | 12 | 93   | 97,5 | 132 | 168   | 36           | 60 |
| 06441-320X70 | steel         | 3    | M20 | 30 | 43 | 30 | 60   | 12 | 93   | 97,5 | 132 | 168   | 36           | 70 |
| 06441-320X80 | steel         | 3    | M20 | 30 | 43 | 30 | 60   | 12 | 93   | 97,5 | 132 | 168   | 36           | 80 |
| 06441-320X90 | steel         | 3    | M20 | 30 | 43 | 30 | 60   | 12 | 93   | 97,5 | 132 | 168   | 36           | 90 |