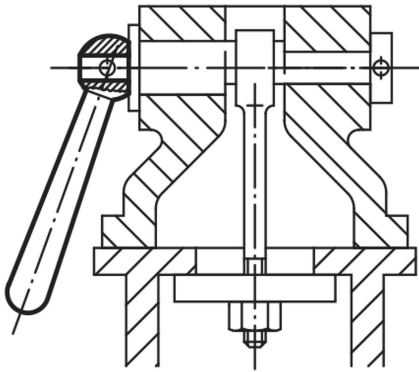


Item description/product images



Description

Material:

Steel.

Version:

Polished.

Note:

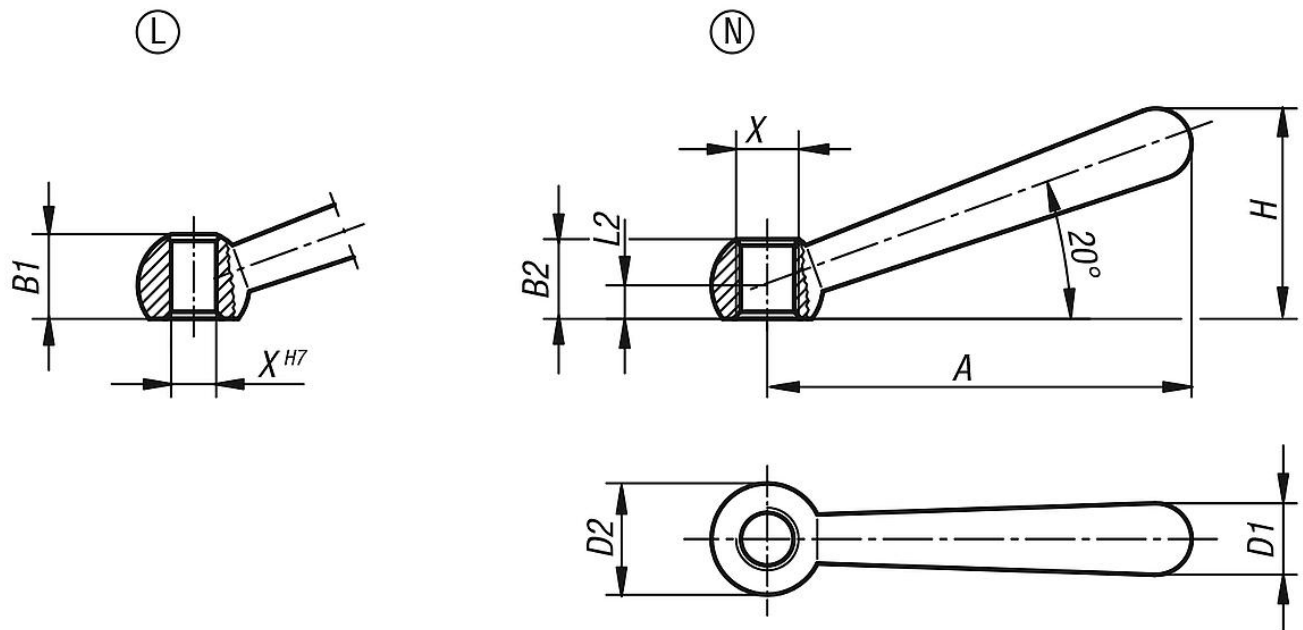
To fix the lever to another element, gluing is often more cost-effective than pinning.

Drawing reference:

Form L: with hole

Form N: with female thread

Drawings



Overview of items

Order No.	Form	X	A=Handle length	B1	B2	D1	D2 ball	H	L2
06330-106	L	6	48	9,5	-	8	12	24	4
06330-108	L	8	60	12	-	10	16	30,5	5
06330-110	L	10	76	14,5	-	13	20	38	6
06330-112	L	12	95	18,5	-	16	25	47	7,5
06330-116	L	16	119	24	-	20	32	59,5	10
06330-120	L	20	152	30	-	25	40	75,5	12,5
06330-206	N	M6	48	-	9,5	8	12	24	4
06330-208	N	M8	60	-	12	10	16	30,5	5
06330-210	N	M10	76	-	14,5	13	20	38	6
06330-212	N	M12	95	-	18,5	16	25	47	7,5
06330-216	N	M16	119	-	24	20	32	59,5	10

Overview of items

Order No.	Form	X	A=Handle length	B1	B2	D1	D2 ball	H	L2
06330-220	N	M20	152	-	30	25	40	75,5	12,5