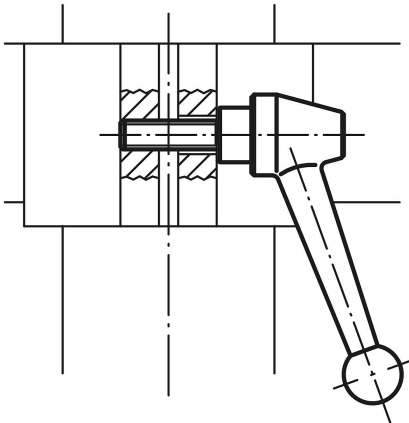
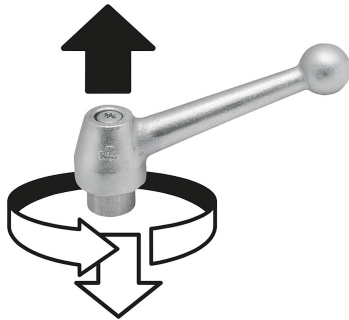




lift to  
disengage



## Description

### Material:

Handle stainless steel 1.4308.  
All other metal parts stainless steel 1.4305.

### Version:

Stainless steel grip electropolished.  
Steel parts bright.

### Note:

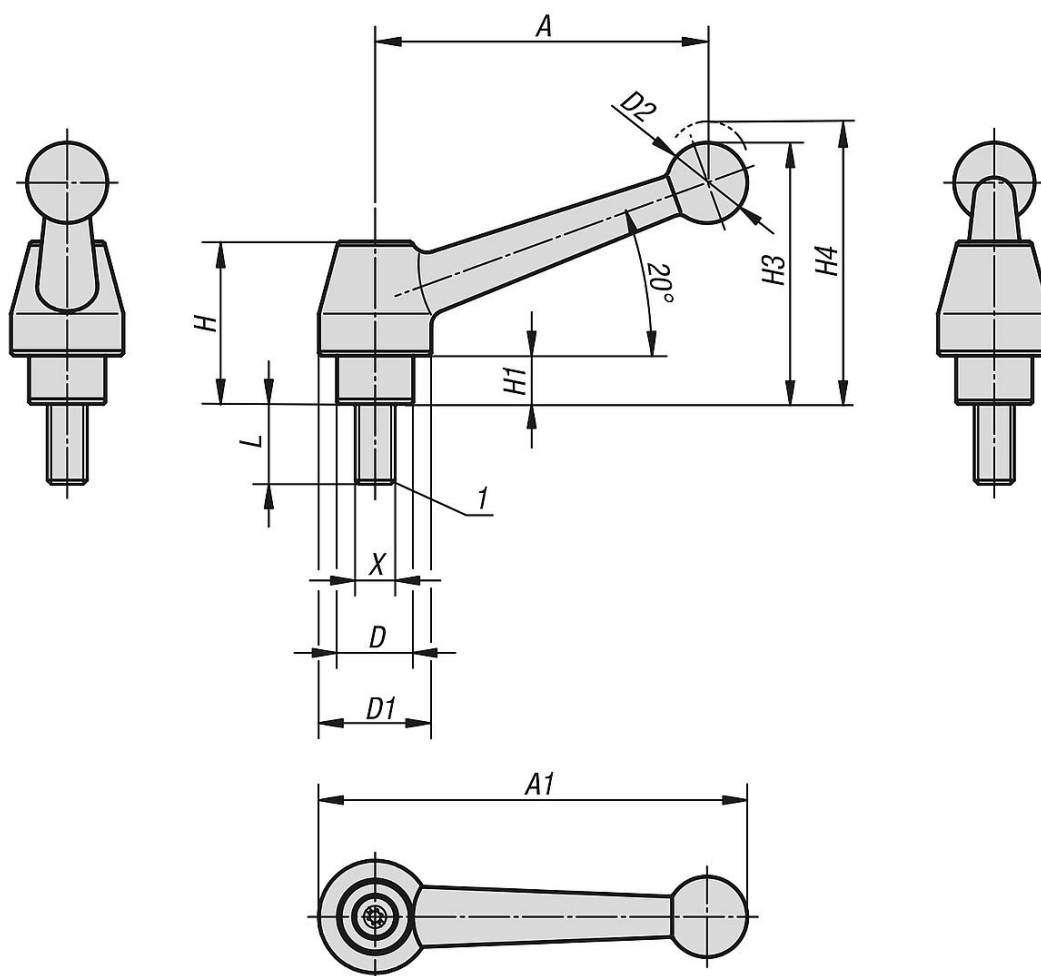
Where  $L \geq 60$  mm the thread length is always 60 mm.

### On request:

Other threads, screw lengths and special versions.  
Dimension "H1" available in other lengths at extra charge.

### Drawing reference:

1) flat point DIN EN ISO 4753



## Overview of items

Order No.	Main material	Size	X	D	D1	D2	H	H1	H3	H4	A	A1	No. of teeth	L
06441-1110X25	stainless steel	1	M10	19	28	20	40,5	12	65	68,5	83	107	24	25
06441-1110X30	stainless steel	1	M10	19	28	20	40,5	12	65	68,5	83	107	24	30
06441-1110X40	stainless steel	1	M10	19	28	20	40,5	12	65	68,5	83	107	24	40
06441-1110X50	stainless steel	1	M10	19	28	20	40,5	12	65	68,5	83	107	24	50
06441-1110X60	stainless steel	1	M10	19	28	20	40,5	12	65	68,5	83	107	24	60
06441-1112X25	stainless steel	1	M12	19	28	20	40,5	12	65	68,5	83	107	24	25
06441-1112X30	stainless steel	1	M12	19	28	20	40,5	12	65	68,5	83	107	24	30
06441-1112X40	stainless steel	1	M12	19	28	20	40,5	12	65	68,5	83	107	24	40
06441-1112X50	stainless steel	1	M12	19	28	20	40,5	12	65	68,5	83	107	24	50
06441-1112X60	stainless steel	1	M12	19	28	20	40,5	12	65	68,5	83	107	24	60