

Item description/product images



Description

Material:

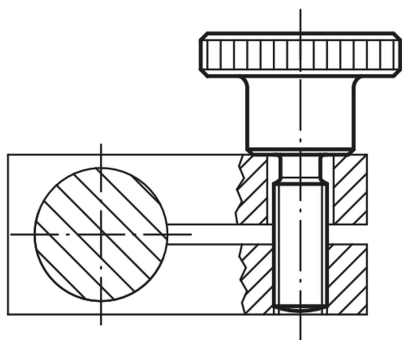
Steel 1.0718.
Stainless steel 1.4305.

Version:

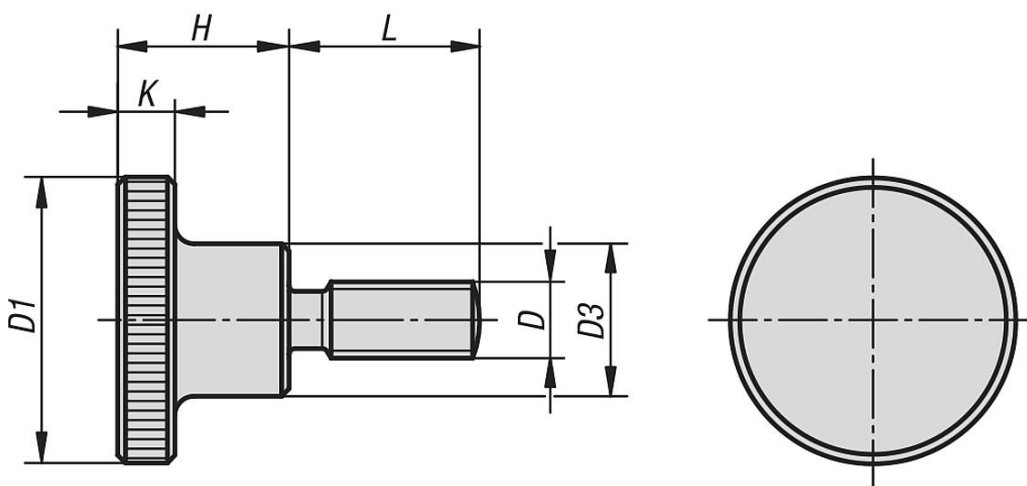
Steel, black oxidised.
Stainless steel, bright.

Note:

* Threads with these lengths have no undercut at the shoulder.



Drawings



Overview of items

Order No.	Main material	D	D1	D3	H	K	L
06090-04X10	steel	M4	16	8	9,5	3,5	10
06090-04X16	steel	M4	16	8	9,5	3,5	16
06090-04X20	steel	M4	16	8	9,5	3,5	20*
06090-05X10	steel	M5	20	10	11,5	4	10

Overview of items

Order No.	Main material	D	D1	D3	H	K	L
06090-05X16	steel	M5	20	10	11,5	4	16
06090-05X20	steel	M5	20	10	11,5	4	20*
06090-06X10	steel	M6	24	12	15	5	10
06090-06X16	steel	M6	24	12	15	5	16
06090-06X20	steel	M6	24	12	15	5	20
06090-06X25	steel	M6	24	12	15	5	25*
06090-08X16	steel	M8	30	16	18	6	16
06090-08X20	steel	M8	30	16	18	6	20
06090-08X25	steel	M8	30	16	18	6	25
06090-08X30	steel	M8	30	16	18	6	30*
06090-10X20	steel	M10	36	20	23	8	20
06090-10X25	steel	M10	36	20	23	8	25
06090-10X30	steel	M10	36	20	23	8	30
06090-10X40	steel	M10	36	20	23	8	40*
06090-042X10	stainless steel	M4	16	8	9,5	3,5	10
06090-042X16	stainless steel	M4	16	8	9,5	3,5	16
06090-042X20	stainless steel	M4	16	8	9,5	3,5	20*
06090-052X10	stainless steel	M5	20	10	11,5	4	10
06090-052X16	stainless steel	M5	20	10	11,5	4	16
06090-052X20	stainless steel	M5	20	10	11,5	4	20*
06090-062X10	stainless steel	M6	24	12	15	5	10
06090-062X16	stainless steel	M6	24	12	15	5	16
06090-062X20	stainless steel	M6	24	12	15	5	20
06090-062X25	stainless steel	M6	24	12	15	5	25*
06090-082X16	stainless steel	M8	30	16	18	6	16
06090-082X20	stainless steel	M8	30	16	18	6	20
06090-082X25	stainless steel	M8	30	16	18	6	25
06090-082X30	stainless steel	M8	30	16	18	6	30*
06090-102X20	stainless steel	M10	36	20	23	8	20
06090-102X25	stainless steel	M10	36	20	23	8	25
06090-102X30	stainless steel	M10	36	20	23	8	30
06090-102X40	stainless steel	M10	36	20	23	8	40*