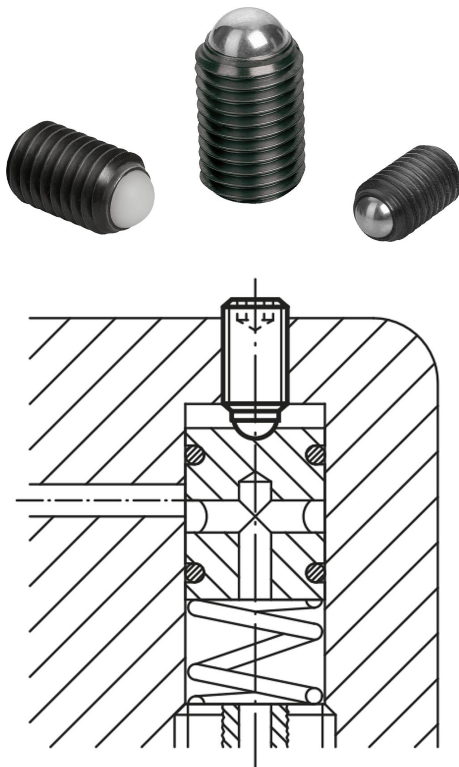


## Item description/product images



## Description

**Material:**

Screw, high-carbon steel, grade 10.9  
Ball, ball-bearing steel or POM.

**Version:**

Screw black.  
Ball hardened, bright.

**Note:**

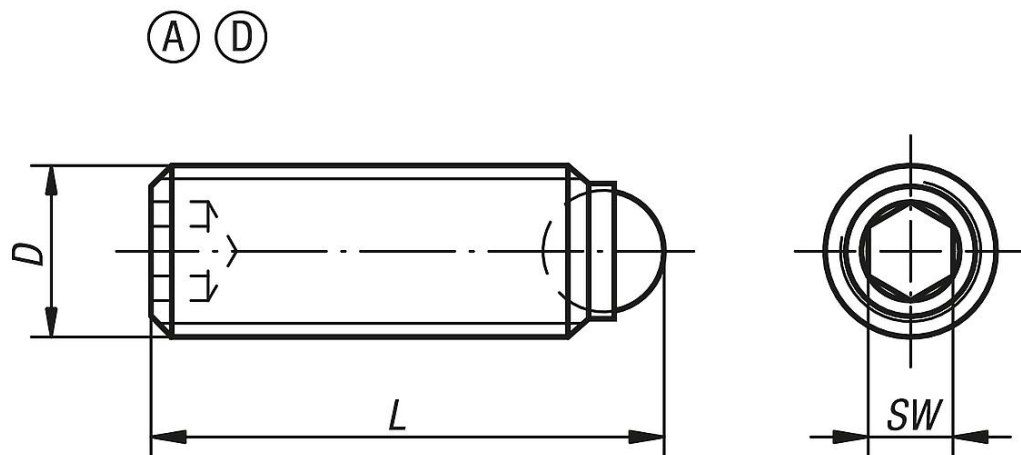
Ball-end thrust screws with full ball are used when a clean, polished contact surface is required.

Longer versions have been specially designed to be glued in, allowing mechanical connecting elements with external thread to be made cost-effectively for small and medium-sized series.

**Drawing reference:**

Form A: steel ball  
Form D: POM ball

## Drawings



## Overview of items

Order No.	Form	Component material	D	L	Ball-Ø	SW	Load rating max. kN (static load only)
07110-1046	A	ball-bearing steel	M4	6	2,5	2	3,5
07110-1048	A	ball-bearing steel	M4	8	2,5	2	3,5
07110-10410	A	ball-bearing steel	M4	10	2,5	2	3,5
07110-10412	A	ball-bearing steel	M4	12	2,5	2	3,5
07110-10416	A	ball-bearing steel	M4	16	2,5	2	3,5
07110-1058	A	ball-bearing steel	M5	8	3	2,5	4,5
07110-10510	A	ball-bearing steel	M5	10	3	2,5	4,5
07110-10512	A	ball-bearing steel	M5	12	3	2,5	4,5
07110-10516	A	ball-bearing steel	M5	16	3	2,5	4,5

## Overview of items

Order No.	Form	Component material	D	L	Ball-Ø	SW	Load rating max. kN (static load only)
07110-10520	A	ball-bearing steel	M5	20	3	2,5	4,5
07110-10525	A	ball-bearing steel	M5	25	3	2,5	4,5
07110-10610	A	ball-bearing steel	M6	10,8	4	3	9
07110-10612	A	ball-bearing steel	M6	12,8	4	3	9
07110-10616	A	ball-bearing steel	M6	16,8	4	3	9
07110-10620	A	ball-bearing steel	M6	20,8	4	3	9
07110-10625	A	ball-bearing steel	M6	25,8	4	3	9
07110-10650	A	ball-bearing steel	M6	50,8	4	3	9
07110-10660	A	ball-bearing steel	M6	60,8	4	3	9
07110-10680	A	ball-bearing steel	M6	80,8	4	3	9
07110-10810	A	ball-bearing steel	M8	11,2	5,5	4	10
07110-10812	A	ball-bearing steel	M8	13,2	5,5	4	10
07110-10816	A	ball-bearing steel	M8	17,2	5,5	4	15
07110-10820	A	ball-bearing steel	M8	21,2	5,5	4	15
07110-10825	A	ball-bearing steel	M8	26,2	5,5	4	15
07110-10830	A	ball-bearing steel	M8	31,2	5,5	4	15
07110-10850	A	ball-bearing steel	M8	51,2	5,5	4	15
07110-10860	A	ball-bearing steel	M8	61,2	5,5	4	15
07110-10880	A	ball-bearing steel	M8	81,2	5,5	4	15
07110-11012	A	ball-bearing steel	M10	13,7	7	5	20
07110-11016	A	ball-bearing steel	M10	17,7	7	5	20
07110-11020	A	ball-bearing steel	M10	21,7	7	5	20
07110-11025	A	ball-bearing steel	M10	26,7	7	5	20
07110-11035	A	ball-bearing steel	M10	36,7	7	5	20
07110-11216	A	ball-bearing steel	M12	18	8,5	6	30
07110-11220	A	ball-bearing steel	M12	22	8,5	6	30
07110-11225	A	ball-bearing steel	M12	27	8,5	6	30
07110-11230	A	ball-bearing steel	M12	32	8,5	6	30
07110-11232	A	ball-bearing steel	M12	34	8,5	6	30
07110-11240	A	ball-bearing steel	M12	42	8,5	6	30
07110-11620	A	ball-bearing steel	M16	23,3	12	8	60
07110-11625	A	ball-bearing steel	M16	28,3	12	8	60
07110-11635	A	ball-bearing steel	M16	38,3	12	8	60
07110-11650	A	ball-bearing steel	M16	53,3	12	8	60
07110-12030	A	ball-bearing steel	M20	34,2	15	10	90
07110-12040	A	ball-bearing steel	M20	44,2	15	10	90
07110-12060	A	ball-bearing steel	M20	64,2	15	10	90
07110-12435	A	ball-bearing steel	M24	39,7	18	12	120
07110-12450	A	ball-bearing steel	M24	54,7	18	12	120
07110-12480	A	ball-bearing steel	M24	84,7	18	12	120
07110-3046	D	polyacetal	M4	6	2,5	2	0,3
07110-3048	D	polyacetal	M4	8	2,5	2	0,3
07110-30410	D	polyacetal	M4	10	2,5	2	0,3
07110-30412	D	polyacetal	M4	12	2,5	2	0,3
07110-30416	D	polyacetal	M4	16	2,5	2	0,3
07110-3058	D	polyacetal	M5	8	3	2,5	0,5
07110-30510	D	polyacetal	M5	10	3	2,5	0,5
07110-30512	D	polyacetal	M5	12	3	2,5	0,5
07110-30516	D	polyacetal	M5	16	3	2,5	0,5
07110-30520	D	polyacetal	M5	20	3	2,5	0,5
07110-30525	D	polyacetal	M5	25	3	2,5	0,5
07110-30610	D	polyacetal	M6	10,8	4	3	0,9
07110-30612	D	polyacetal	M6	12,8	4	3	0,9
07110-30616	D	polyacetal	M6	16,8	4	3	0,9
07110-30620	D	polyacetal	M6	20,8	4	3	0,9
07110-30625	D	polyacetal	M6	25,8	4	3	0,9
07110-30810	D	polyacetal	M8	11,2	5,5	4	1,5
07110-30812	D	polyacetal	M8	13,2	5,5	4	1,5
07110-30816	D	polyacetal	M8	17,2	5,5	4	1,5
07110-30820	D	polyacetal	M8	21,2	5,5	4	1,5
07110-30825	D	polyacetal	M8	26,2	5,5	4	1,5
07110-30830	D	polyacetal	M8	31,2	5,5	4	1,5
07110-31012	D	polyacetal	M10	13,7	7	5	2
07110-31016	D	polyacetal	M10	17,7	7	5	2

## Overview of items

Order No.	Form	Component material	D	L	Ball-Ø	SW	Load rating max. kN (static load only)
07110-31020	D	polyacetal	M10	21,7	7	5	2
07110-31025	D	polyacetal	M10	26,7	7	5	2
07110-31035	D	polyacetal	M10	36,7	7	5	2
07110-31216	D	polyacetal	M12	18	8,5	6	3
07110-31220	D	polyacetal	M12	22	8,5	6	3
07110-31230	D	polyacetal	M12	32	8,5	6	3
07110-31240	D	polyacetal	M12	42	8,5	6	3